

# High Head Pump

## HH150

### Overview:

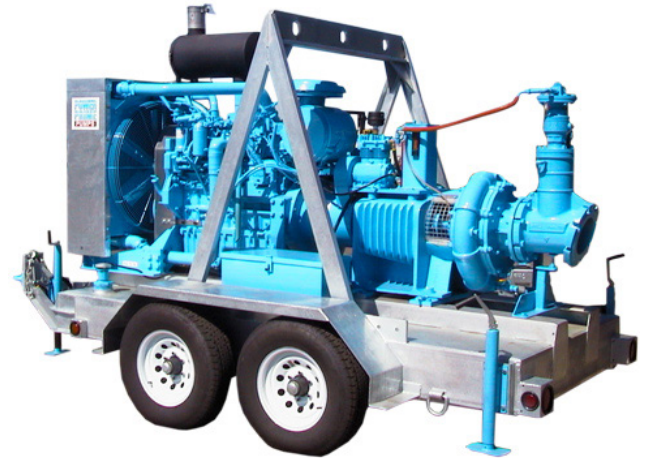
The 8" suction x 6" discharge self-priming centrifugal HH150 high head pump provides up to a maximum of 2,300 gallons per minute pumping and up to 319 feet of head. This pump is usually mounted on a trailer and features the standard PowerPrime Clean Prime Venturi priming system which allows it to run continuously, unattended and even run dry.

### Features:

- Suction lift to 28 feet
- Continuous self-priming
- Runs dry unattended
- 12-volt auto start electric control panel
- Pedestal-mounted
- Flex coupled to diesel engine
- 24-hour capacity fuel tank
- Compressor fitted to operate air-injector priming system
- Ductile iron volute with stainless steel open impellers
- Replaceable wear plates

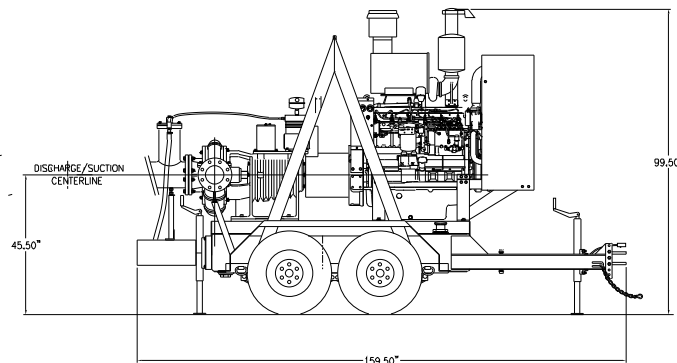
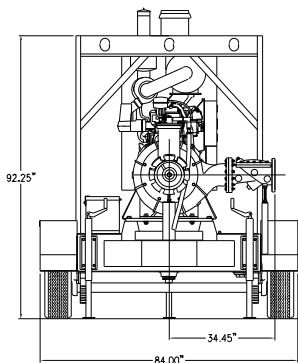
### Specs:

Maximum Flow	2,300 GPM
Maximum Head	319 feet
Pump Size	8" x 6"
Maximum Solids Handling	1.5 inches
Dry weight	6,280 lbs.
Footprint: Trailer mounted model	160" x 84"
Fuel tank	250 gallon
Fuel consumption	10.3 gph @ 2,000 RPM



### Accessories:

- Spillguard
- Suction and Discharge Hoses
- Fuel Nurse Tank
- VFD for electric driven models



**PUMPS • TANKS • FILTRATION • PIPE • SPILLGUARDS**

Rain for Rent is a registered trademark of Western Oilfields Supply Company. Features and specifications are subject to change without notice.

**Liquid Ingenuity**  
800-742-7246  
rainforrent.com



# Rain For Rent

CURVE: 01-0133-02-14

PUMP : HH-150

SUCTION 8"

DISCHARGE 6"

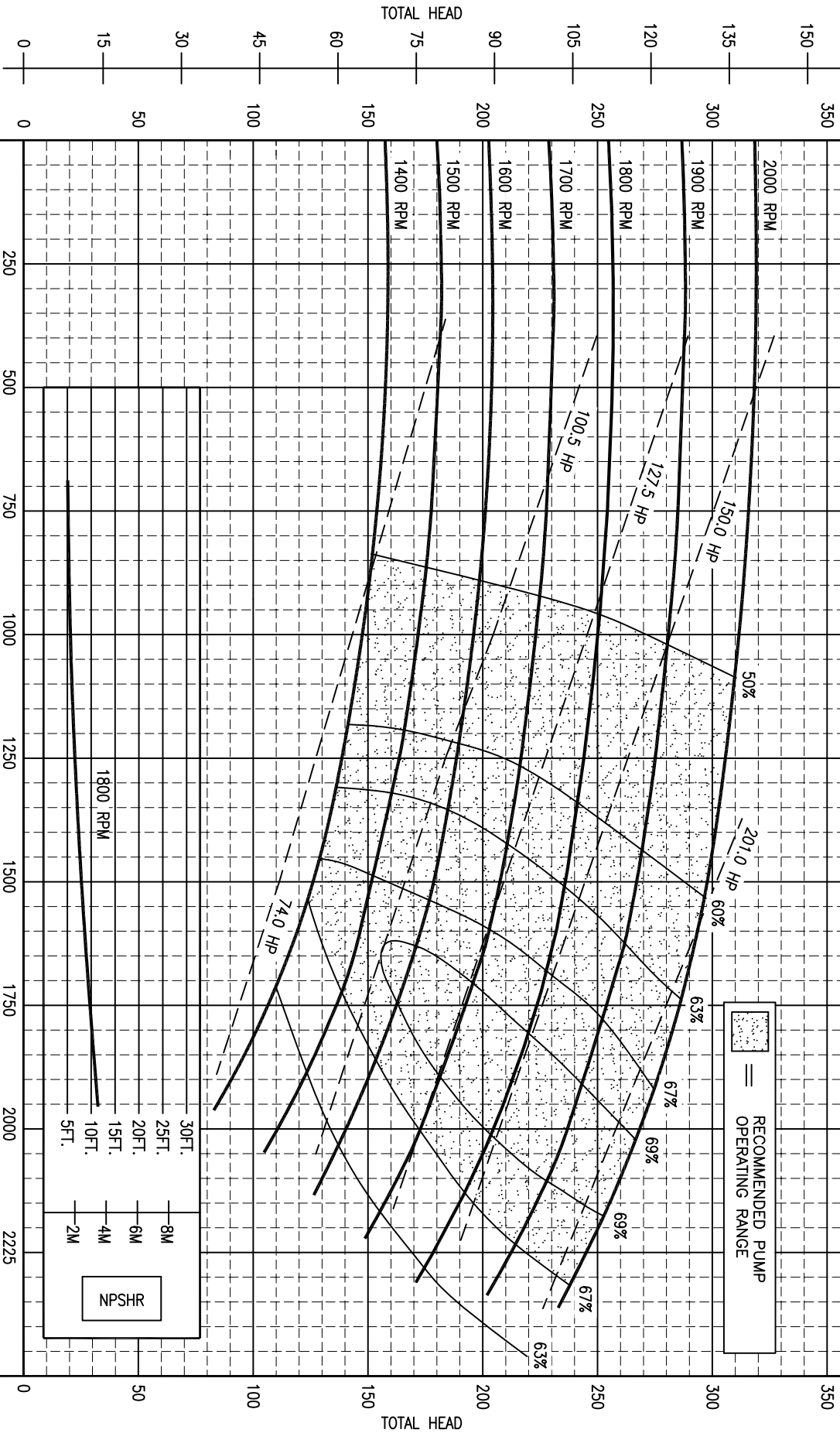
MAX. SPHERE 1.5"

IMPELLER OPEN

IMPELLER 15.7

IMPELLER & WEAR RINGS 316 S/S

ALL INFORMATION CONTAINED IN OR DISCLOSED BY THIS DOCUMENT IS CONSIDERED CONFIDENTIAL AND PROPRIETARY BY RAIN FOR RENT. ALL DISCLOSURES OF DESIGN INFORMATION AND REPRODUCTION OF THIS DOCUMENT AND ALL SALES RIGHTS ARE EXCLUSIVELY RESERVED BY AND TO RAIN FOR RENT AND COMMUNICATION OF THIS INFORMATION TO OTHERS IS PROHIBITED WITHOUT THE PRIOR WRITTEN CONSENT OF RAIN FOR RENT



FLOW - CLEAR WATER PERFORMANCE (US GPM)

**CONFIDENTIAL**

-PUMP PERFORMANCE CURVES DO NOT INCLUDE CHECK VALVE LOSSES  
-POWER CURVES INCLUDES AIR COMPRESSOR POWER CONSUMPTION

T F S P 0