

# PipeStax® XL

# Large Modular Pipe Support Blocks

Part of the WORKSAFE™ family of products

## Overview:

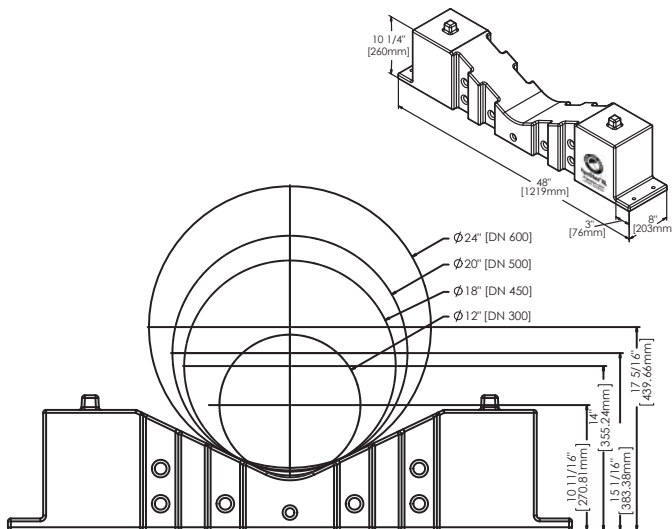
Rain for Rent's unique\* WORKSAFE™ PipeStax® XL are modular and durable pipe support blocks for large pipe applications. By stacking the interlocking PipeStax XL blocks to your desired elevation, your large diameter hose and pipe will be stable and secure. PipeStax can easily eliminate wooden dunnage entirely. By removing piles of wood from your jobsite, tripping hazards are reduced. PipeStax XL are reusable, do not splinter and do not absorb liquid like typical wood cribbing. For large pipe applications, up to 24" in diameter, rely on the support provided by PipeStax XL.

## Features:

- PipeStax XL cradling design prevents pipe from rolling.
- PipeStax XL stabilizes pipe during fabrication, welding or any temporary application.
- PipeStax XL modular design makes them easy to secure, stack and adjust to your desired elevation.
- PipeStax XL can be anchored to wood cribbing, asphalt or other surfaces.
- Prevent pipe or hose from sagging, relieving stresses that may cause premature failure.
- Lightweight construction make PipeStax XL easy to transport
- Bright yellow for high visibility.
- PipeStax XL spacers allow height adjustments in 2.5" increments (63.5mm).

## Specs:

- Molded UV-stabilized HDPE construction
- Dimensions per block (L x W x H): 48" x 8.0" x 10.25" / 1,219 x 203 x 260 mm
- Supports pipe up to 24"
- Weight per PipeStax: 22 lb / 10 kg
- Designed and manufactured in the USA



\*U.S. Patent # 8,807,492

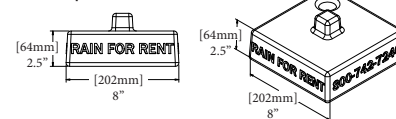


## Spacing Chart:

PipeStax XL - HDPE Support Spacing < 140° F (60° C)			
	12" HDPE (DN 300)	18" HDPE (DN 450)	24" HDPE (DN 600)
Single Stax XL (1)	10 feet** (3.0 m)	11 feet** (3.4 m)	10 feet** (3.0 m)
Cross Stax XL (4)	10 feet** (3.0 m)	11 feet** (3.4 m)	12 feet** (3.7 m)

\*\*Spacing limited by HDPE pipe and not PipeStax XL.

## 2.5" Spacers



PUMPS • TANKS • FILTRATION • PIPE • SPILLGUARDS

Rain for Rent is a registered trademark of Western Oilfields Supply Company. Features and specifications are subject to change without notice.

**Liquid Ingenuity.**  
800-742-7246  
rainforrent.com