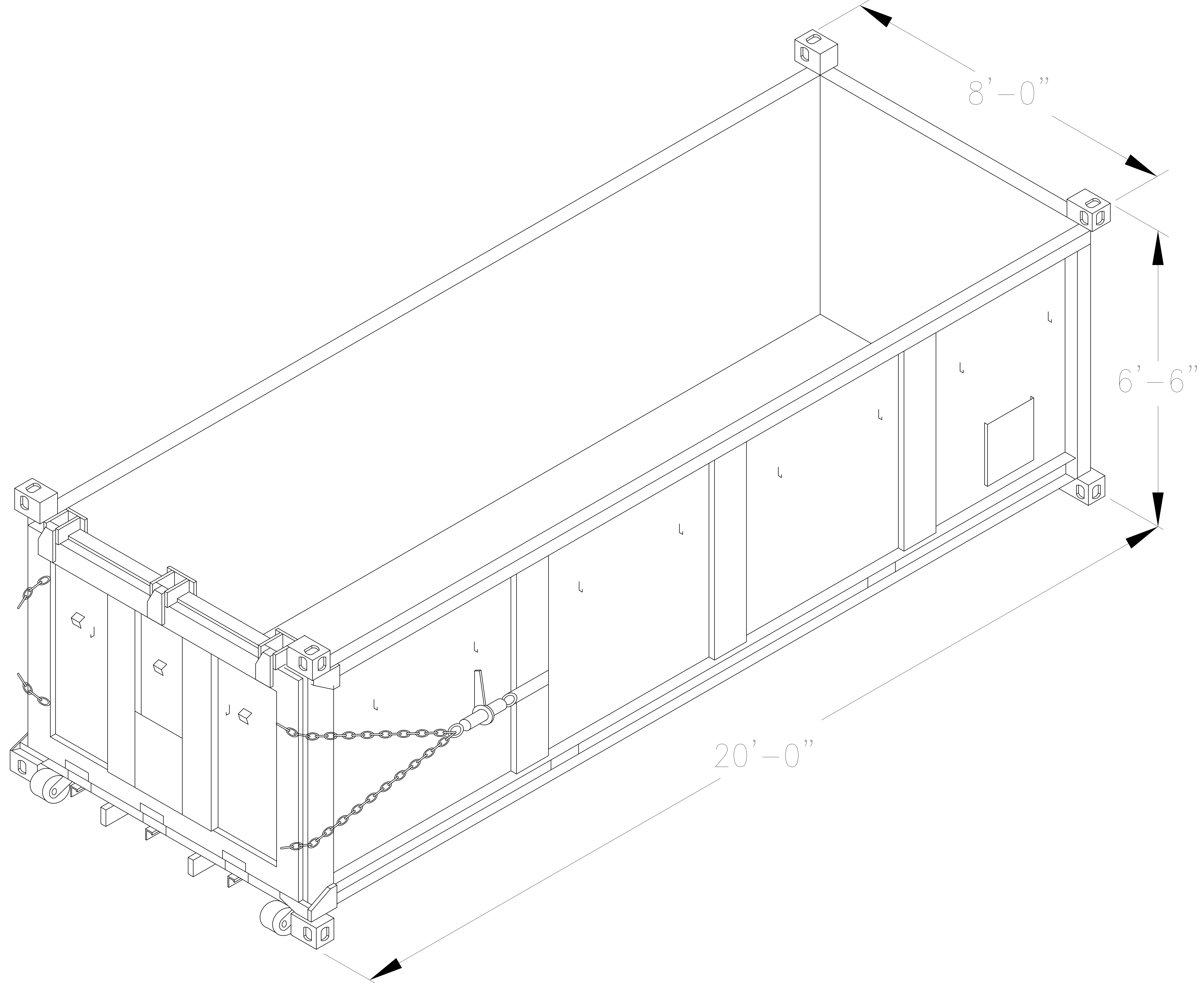


REV.NO.	DESCRIPTION	PREVIOUS DWG	BY	DATE

ITEM	QTY.	REF.	DESCRIPTION

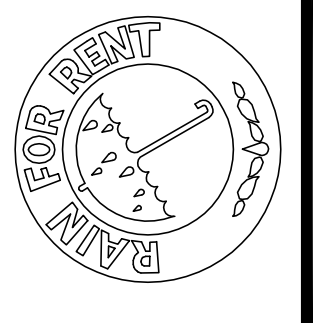


DATE:	3-26-03
SCALE:	NTS
DESIGNED:	
CHECKED:	
DRAWN:	S.HERNANDEZ

OR-2 INTERMODAL

OR-2 INTERMODAL DETAIL

**Rain For Rent
Engineering**
3404 STATE ROAD PO BOX 2248 BAKERSFIELD CA 93303



ALL INFORMATION CONTAINED IN OR ON THIS DRAWING IS THE PROPERTY OF RAIN FOR RENT. ALL INFORMATION IS UNCLASSIFIED AND REPRODUCTION OF THIS DOCUMENT IS PROHIBITED WITHOUT THE PRIOR WRITTEN CONSENT OF RAIN FOR RENT.

1	SHEET	1
DRAWING NUMBER		
103436		
JOB NUMBER		
1030004		