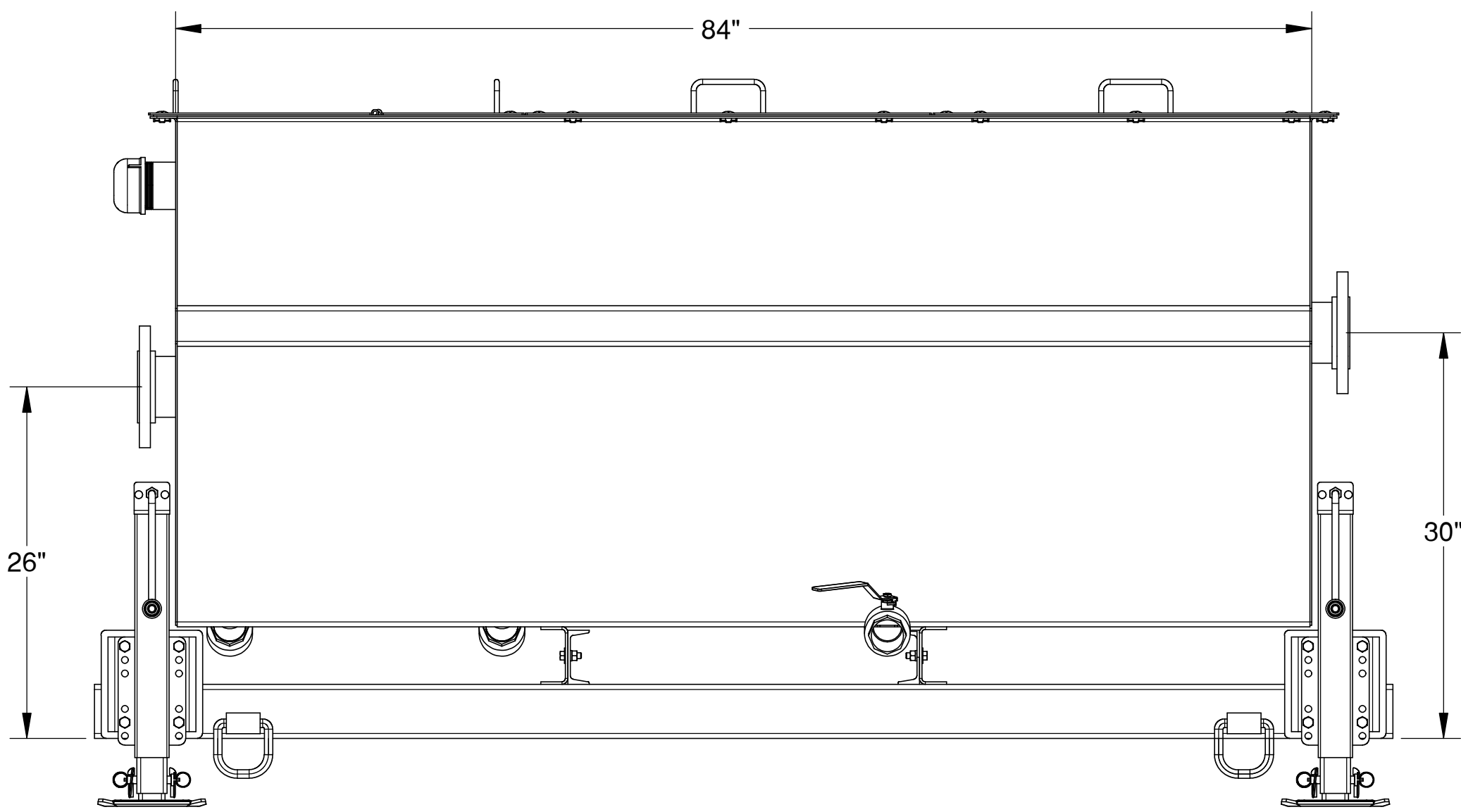
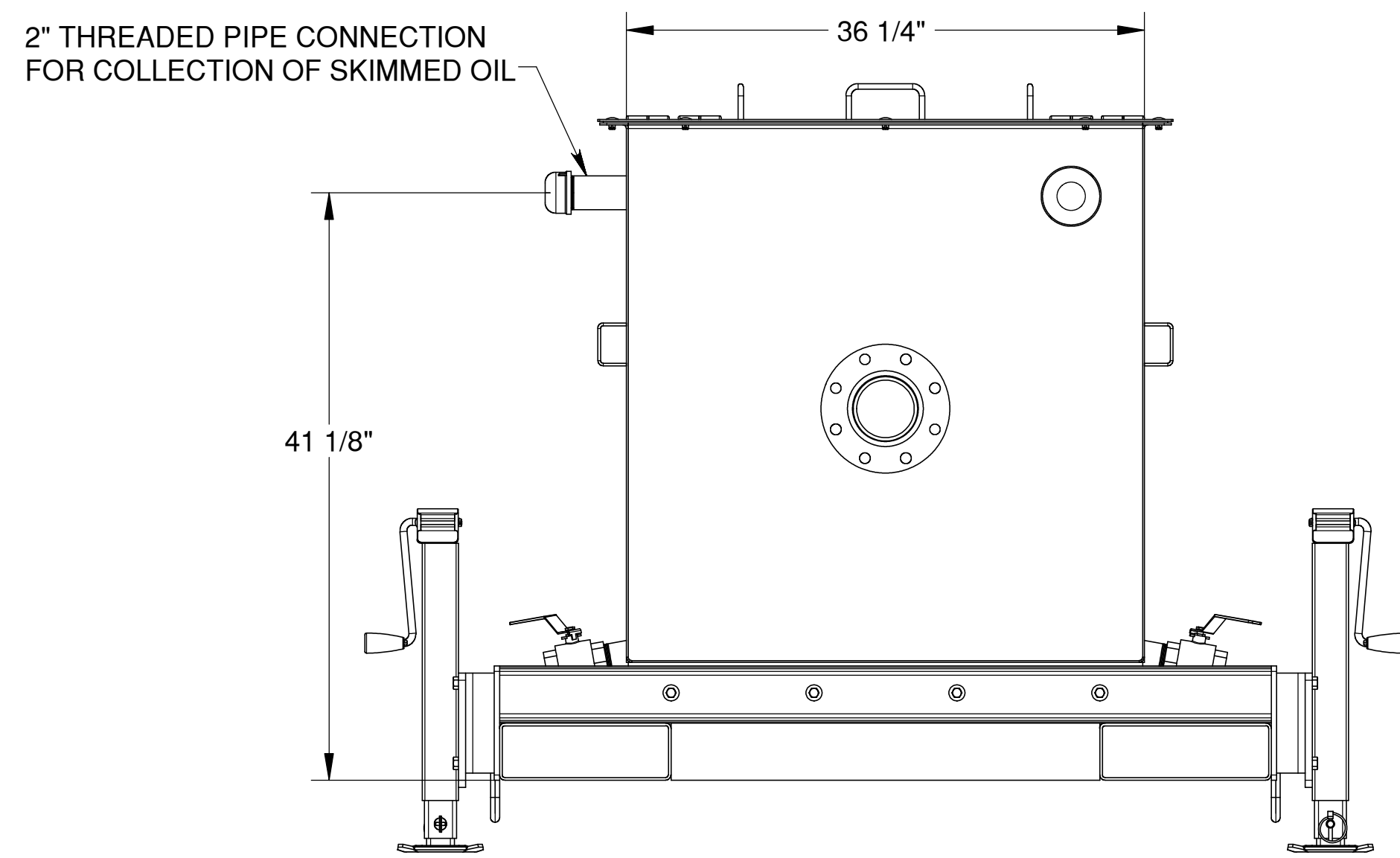


ISOMETRIC VIEW
NOT TO SCALE



UNLESS OTHERWISE SPECIFIED
 INTERPRET PER ASME Y14.24
 AND Y14.34A, Y14.35M
 ALL DIMENSIONS ARE IN INCHES
 ALL DIMENSIONS BEFORE PLATING
 MACHINED FILLET RADIUS TO BE .070
 SHEET SCALE IS AS LISTED IN TITLE
 BLOCK UNLESS SPECIFIED
 OTHERWISE
 FRACTIONAL: 1/16
 DECIMALS: .010
 .XX = ±.030
 .X = ±.100
 ANGLES: ±0° .30'

OWS100
SALES / REFERENCE DRAWING

Rain For Rent
 Engineering
 3404 State Road PO Box 2248 Bakersfield CA 93303

ALL INFORMATION CONTAINED IN OR
 DISCLOSED BY THIS DOCUMENT IS
 CONSIDERED CONFIDENTIAL AND
 PROPRIETARY BY RAIN FOR RENT
 ALL DISCLOSURES OF DESIGN IN-
 FORMATION AND REPRODUCTION OF
 THIS DOCUMENT AND ALL SALES
 RIGHTS ARE EXCLUSIVELY RESER-
 VED BY AND TO RAIN FOR RENT
 AND COMMUNICATION OF THIS IN-
 FORMATION TO OTHERS IS PRO-
 HIBITED WITHOUT THE PRIOR WRIT-
 TEN CONSENT OF RAIN FOR RENT.

DATE: 8/19/2001 SCALE: 1:10

CHECKED BY
 DRAWN BY: **K.MUSICK**
 JOB NUMBER: **1010619**
 DRAWING NUMBER: **101270~1**
 SHEET 1 OF 1 SHT SIZE: REV NO: D 1

REV.NO.	DESCRIPTION	PREV.DWG	BY	DATE
1	ADDED REMOVABLE ZEUS FASTENER NOTE	101270-1	MS	9/26/2003