



Model HH-80

Size 3" X 3"

Standard Features

- Hot Dip Galvanized Trailers and Skids
 - Radiator Enclosure
 - Battery Box
 - Wheels
- Zinc Plated Jacks
- Emissions Certified Engines
 - Perkins and John Deere
- DOT LED lights
- Electric Brakes with Safety breakaway
- Locking Battery Box



Pump Features

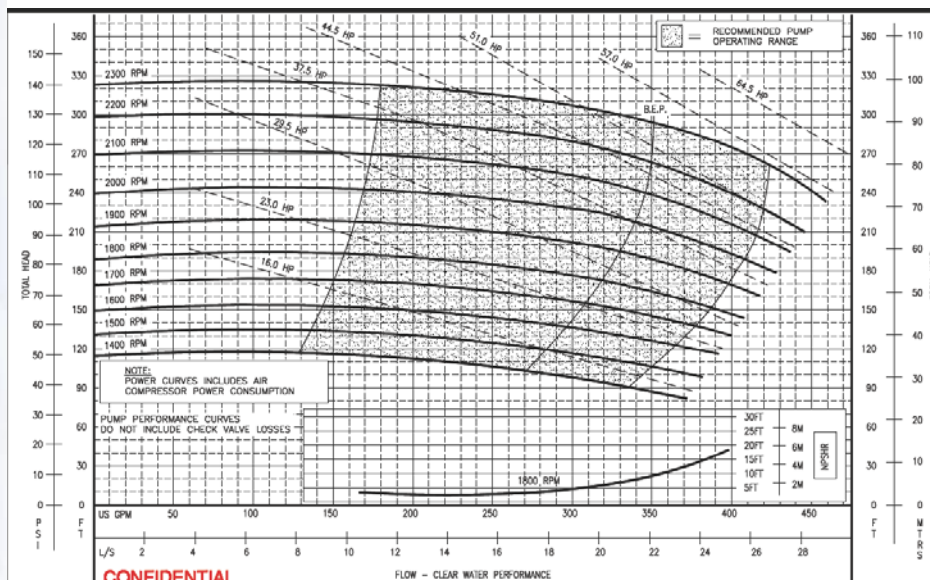
- Solids handling capabilities to 1" diameter maximum
- Continuous self priming
- Runs dry unattended
- Suction lift to 28' ft.
- Auto-start-capable control panel
- Skid or trailer mounted
- Stainless Steel, CD4MCu and Chrome pump Options

Technical

- SAE-mounted
- 12 volt, electric start with control panel
- Skid- or trailer-mounted with optional lifting bale
- 24-hour minimum capacity fuel tank
- Compressor/Venturi automatic priming system
- Electric drive option available
- Sound attenuated option available

Material Specifications

- Standard Build – Ductile Iron volute, 316 Stainless Steel open impeller and replaceable wear plates
- Pump Shaft
431 Stainless Steel
- Mechanical Seal
Solid silicon carbide mating faces
Oil-bath lubrication for dry running
- Suction / discharge flanges ANSI 150# FF.



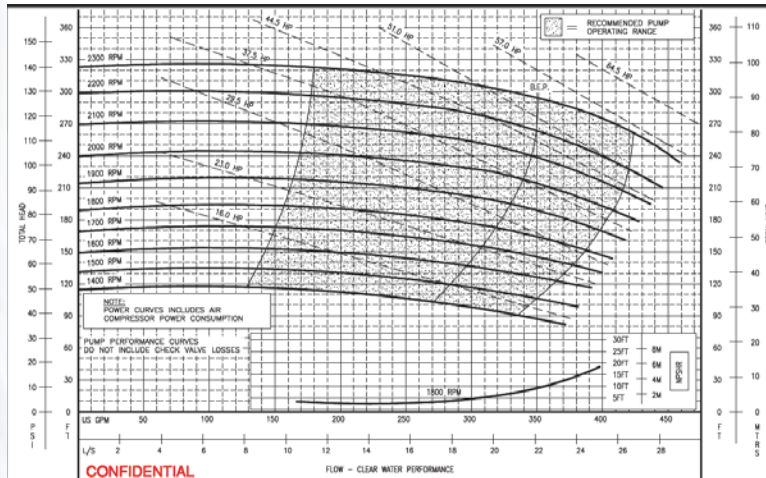
Rain for Rent
 P.O. Box 2248
 Bakersfield CA 93303
 800-742-7246
 661-393-1542
 FAX 661-393-1542
www.rainforrent.com
info@rainforrent.com

Rain for Rent is a registered trademark of Western Oilfields Supply Company. Features and Specifications are subject to change without notice.



HH-80 Technical Specifications

Production Curve



Performance Specs

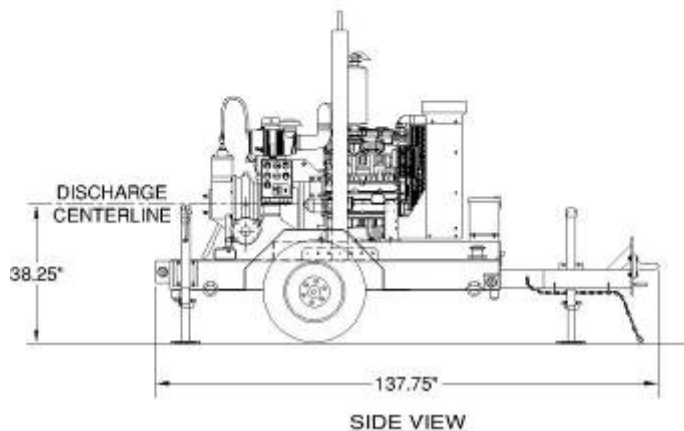
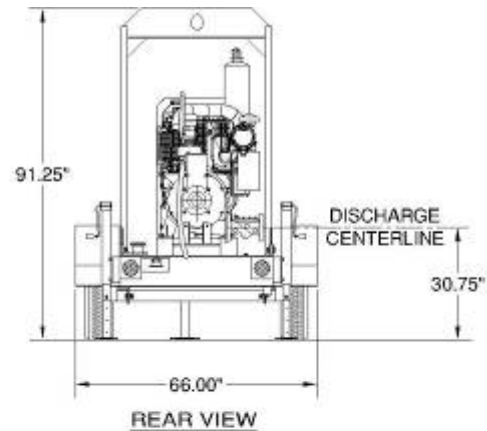
STANDARD 3 VANE OPEN IMPELLER

Minimum Operating Speed:	1400 rpm
Maximum Operating Speed:	2300 rpm
Maximum Head:	320 ft.
Maximum Flow:	450 gpm

Design Details

Pump Designation:	HH-80
Pump Description:	Centrifugal end suction pump, single stage, volute type, 3 vane fully open impeller
Solid Handling Size:	1 inch (25mm)
Operating Temperature	MIN: -4°F (-20°C) MAX: +212°F (+100°C)

Dimensions



Rain for Rent
 P.O. Box 2248
 Bakersfield CA 93303
 800-742-7246
 661-399-9124
 FAX 661-393-1542
www.rainforrent.com
info@rainforrent.com

Rain for Rent is a registered trademark of Western Oilfields Supply Company. Features and Specifications are subject to change without notice.