



Model HH-125

Size 6" X 4"

Standard Features

- Hot Dip Galvanized Trailers and Skids
 - Radiator Enclosure
 - Battery Box
 - Wheels
- Zinc Plated Jacks
- Emissions Certified Engines
 - Perkins, Cat or John Deere
- DOT LED lights
- Electric Brakes with Safety breakaway
- Locking Battery Box

Pump Features

- Solids handling capabilities to 1.14" diameter maximum
- Continuous self priming
- Runs dry unattended
- Suction lift to 28'
- Skid or trailer mounted
- Stainless Steel and Chrome Pump Options

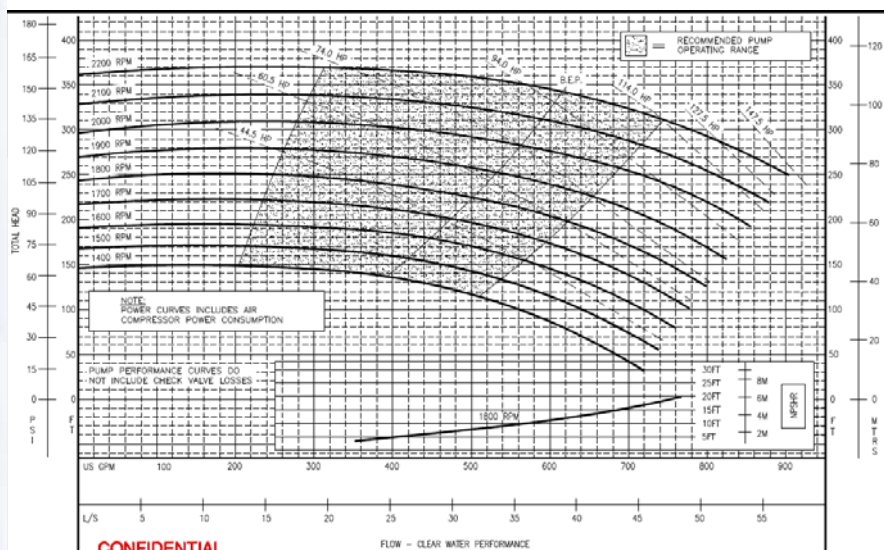


Technical

- Flex-coupled to a diesel engine
- 12 volt, electric start with control panel
- Skid- or trailer-mounted with optional lifting bale
- 24-hour minimum capacity fuel tank
- Compressor/Venturi automatic priming system
- Electric drive option available
- Sound attenuated option available

Material Specifications

- Standard Build - Ductile Iron volute, 316 Stainless Steel open impeller and replaceable wear plates
- Pump Shaft
431 Stainless Steel
- Mechanical Seal
Solid silicon carbide mating faces
Oil-bath lubrication for dry running
- Suction / discharge flanges ANSI 150# FF



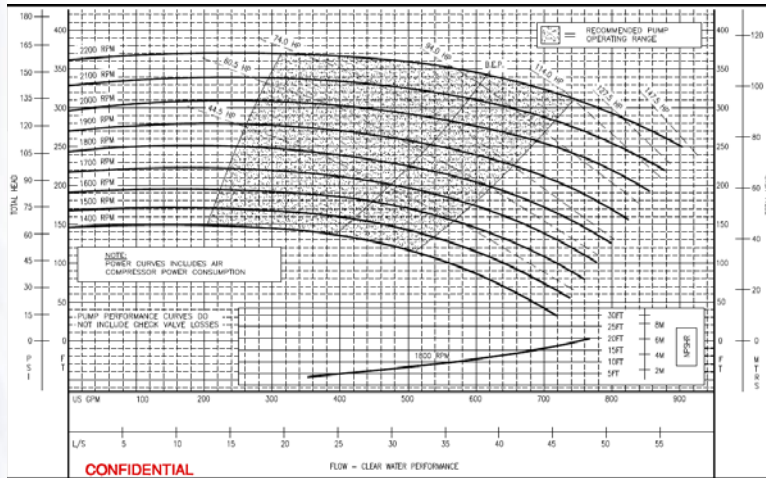
Rain for Rent
 P.O. Box 2248
 Bakersfield CA 93303
 800-742-7246
 661-393-1542
 FAX 661-393-1542
www.rainforrent.com
info@rainforrent.com

Rain for Rent is a registered trademark of Western Oilfields Supply Company. Features and Specifications are subject to change without notice.



HH-125 Technical Specifications

Production Curve



Performance Specs

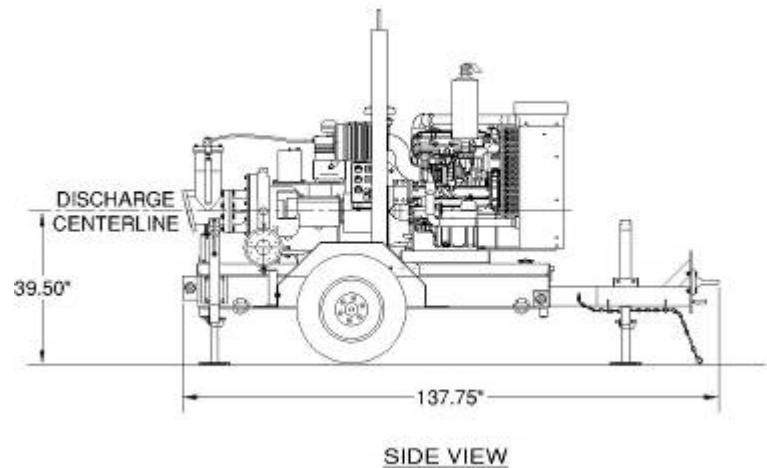
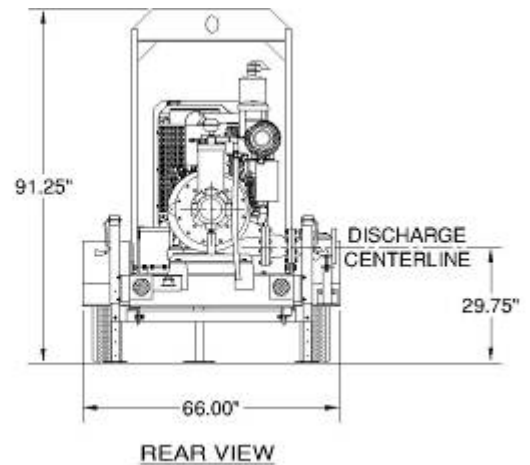
STANDARD 3 VANE IMPELLER

Minimum Operating Speed:	1400 rpm
Maximum Operating Speed:	2200 rpm
Maximum Head:	370 ft.
Maximum Flow:	900 gpm

Design Details

Pump Designation:	HH-125
Pump Description:	Centrifugal end suction pump, single stage, volute type, fully open impeller
Solid Handling Size:	1.14 inches (29mm)
Operating Temperature	MIN: -4°F (-20°C) MAX: +212°F (+100°C)

Dimensions



Rain for Rent
 P.O. Box 2248
 Bakersfield CA 93303
 800-742-7246
 661-399-9124
 FAX 661-393-1542
 www.rainforrent.com
 info@rainforrent.com

Rain for Rent is a registered trademark of Western Oilfields Supply Company. Features and Specifications are subject to change without notice.