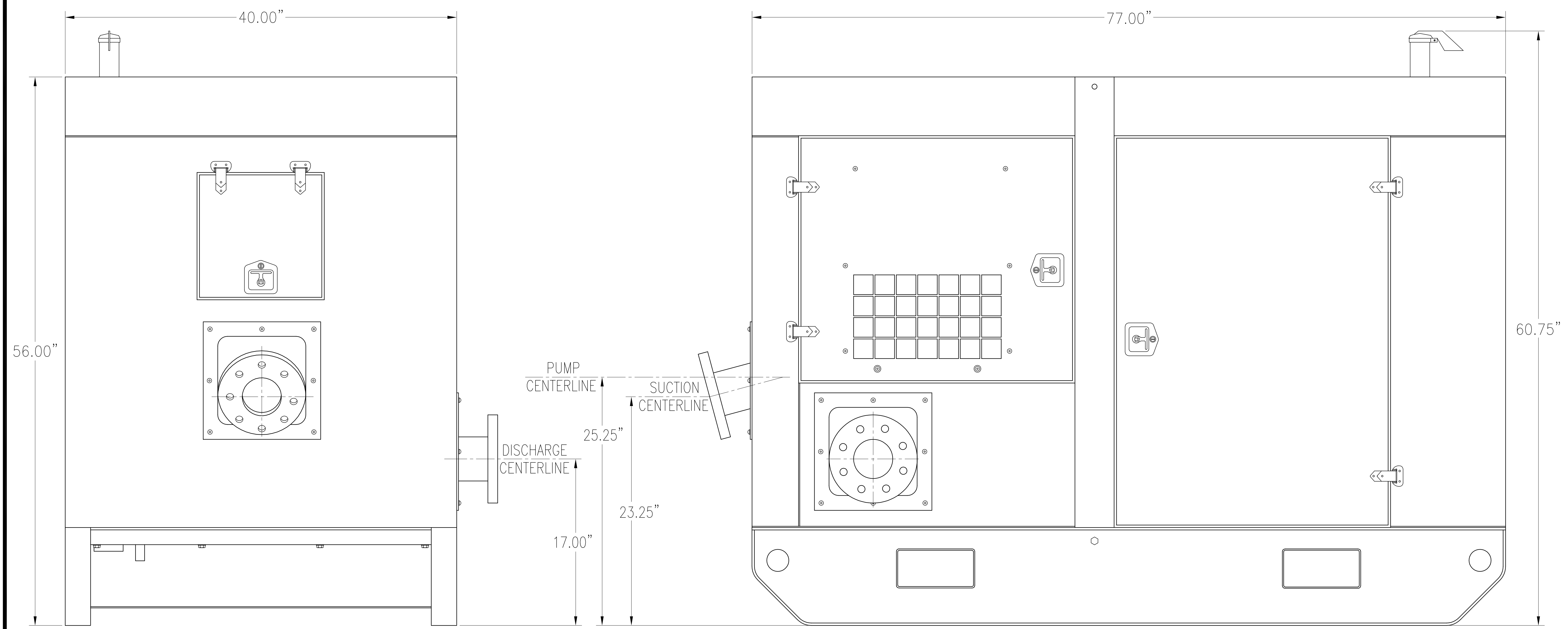


REV.NO.	DESCRIPTION	PREVIOUS DWG	BY	DATE

ITEM	QTY.	REF.	DESCRIPTION

SUCTION = 4" - 150LB. FLANGE
DISCHARGE = 4" - 150LB. FLANGE
SHIPPING WEIGHT = 2,500LBS. (EMPTY FUEL TANK WEIGHT)
FUEL TANK CAPACITY - 60 GALLONS



DATE:	05-23-2003
SCALE:	NOT TO SCALE
DESIGNED:	
CHECKED:	
DRAWN:	R. ROGERS
	D

SA-DV-100

PERKINS 103-15

Rain For Rent Engineering
3404 STATE ROAD PO BOX 2248 BAKERSFIELD CA 93303

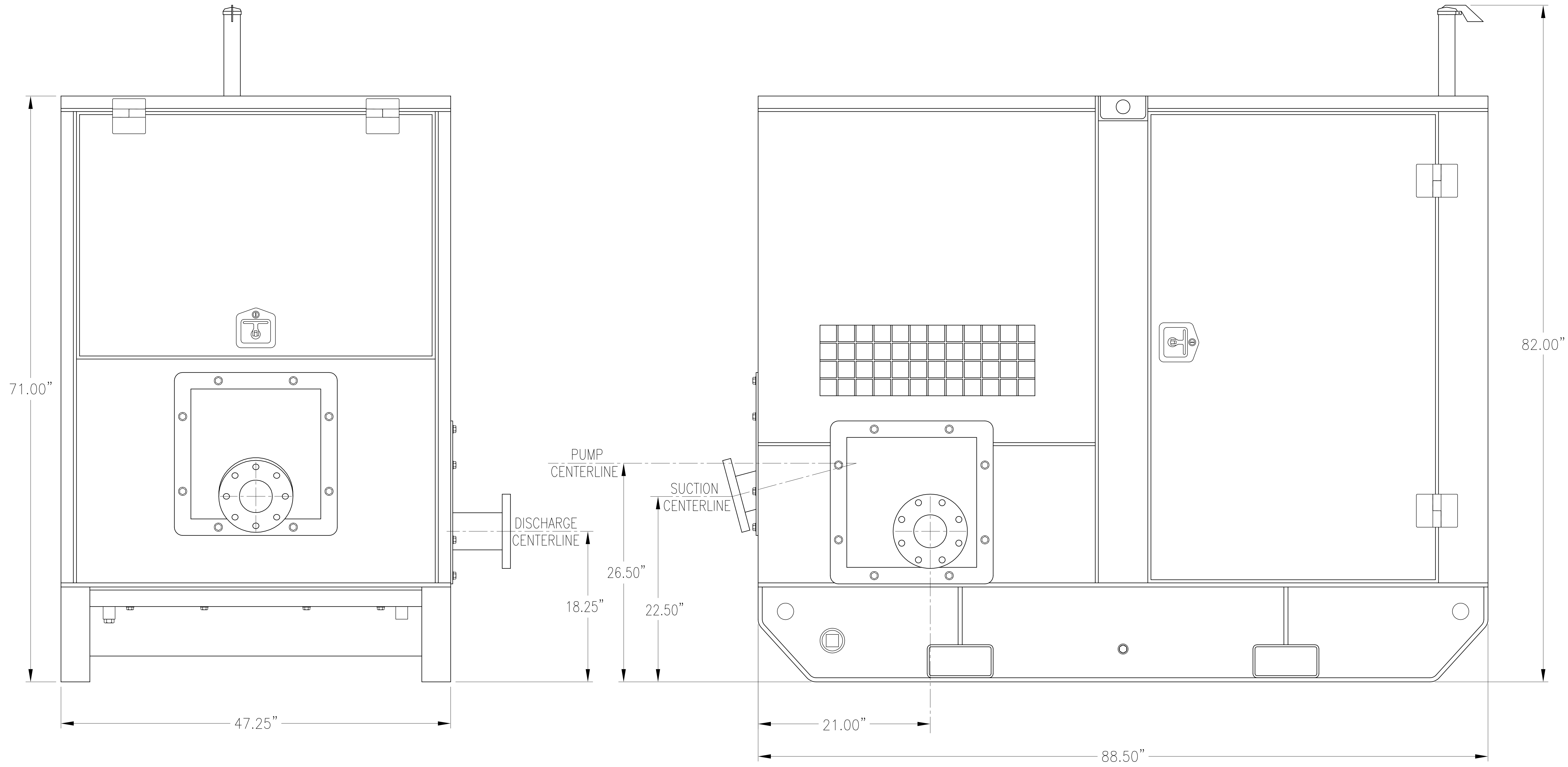
ALL INFORMATION CONTAINED IN OR DISCLOSED BY THIS DOCUMENT IS CONSIDERED CONFIDENTIAL AND NOT TO BE REPRODUCED OR TRANSMITTED IN ANY FORM OR BY ANY MEANS, ELECTRONIC OR MECHANICAL, INCLUDING PHOTOCOPYING, RECORDING, OR BY ANY INFORMATION STORAGE AND RETRIEVAL SYSTEM, WITHOUT THE EXPRESS WRITTEN CONSENT OF RAIN FOR RENT.

1	SHEET OF	1
DRAWING NUMBER		
103616		
JOB NUMBER		
1030527		

REV.NO.	DESCRIPTION	PREVIOUS DWG	BY	DATE

ITEM	QTY.	REF.	DESCRIPTION

SUCTION = 4" - 150LB. FLANGE
DISCHARGE = 4" - 150LB. FLANGE
SHIPPING WEIGHT = 4400LBS. (EMPTY FUEL TANK WEIGHT)
FUEL TANK CAPACITY - 75 GALLONS

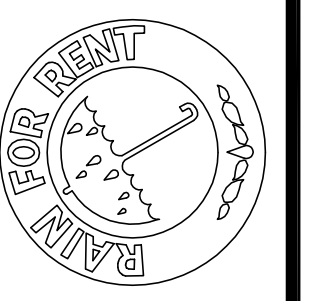


DATE:	05-23-2003
SCALE:	NOT TO SCALE
DESIGNED:	
CHECKED:	
DRAWN:	R. ROGERS
SHEET:	D

SA-DV-100

JOHN DEERE 3029D

Rain For Rent Engineering
3404 STATE ROAD PO BOX 2248 BAKERSFIELD CA 93303



ALL INFORMATION CONTAINED IN OR DISCLOSED BY THIS DOCUMENT IS CONSIDERED CONFIDENTIAL AND NOT TO BE REPRODUCED, COPIED, OR DISCLOSED TO OTHERS WITHOUT THE WRITTEN CONSENT OF RAIN FOR RENT. EXCLUSIVELY RESERVED BY AND TO RAIN FOR RENT. THIS INFORMATION TO OTHERS IS AT THE SOLE RISK OF THE USER. RAIN FOR RENT ENGINEERING

1	SHEET	1
DRAWING NUMBER		
103615		
JOB NUMBER		
1030527		