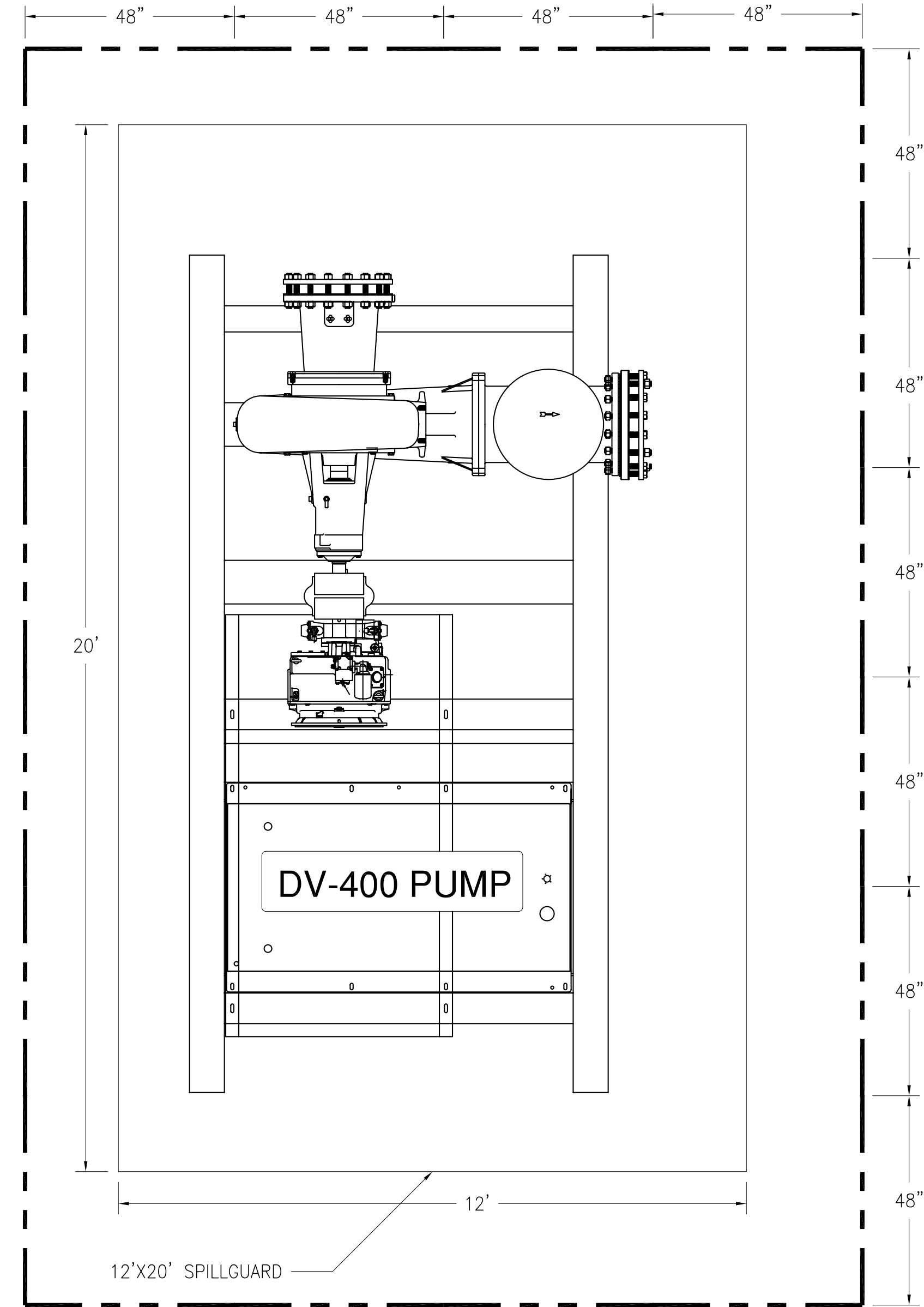
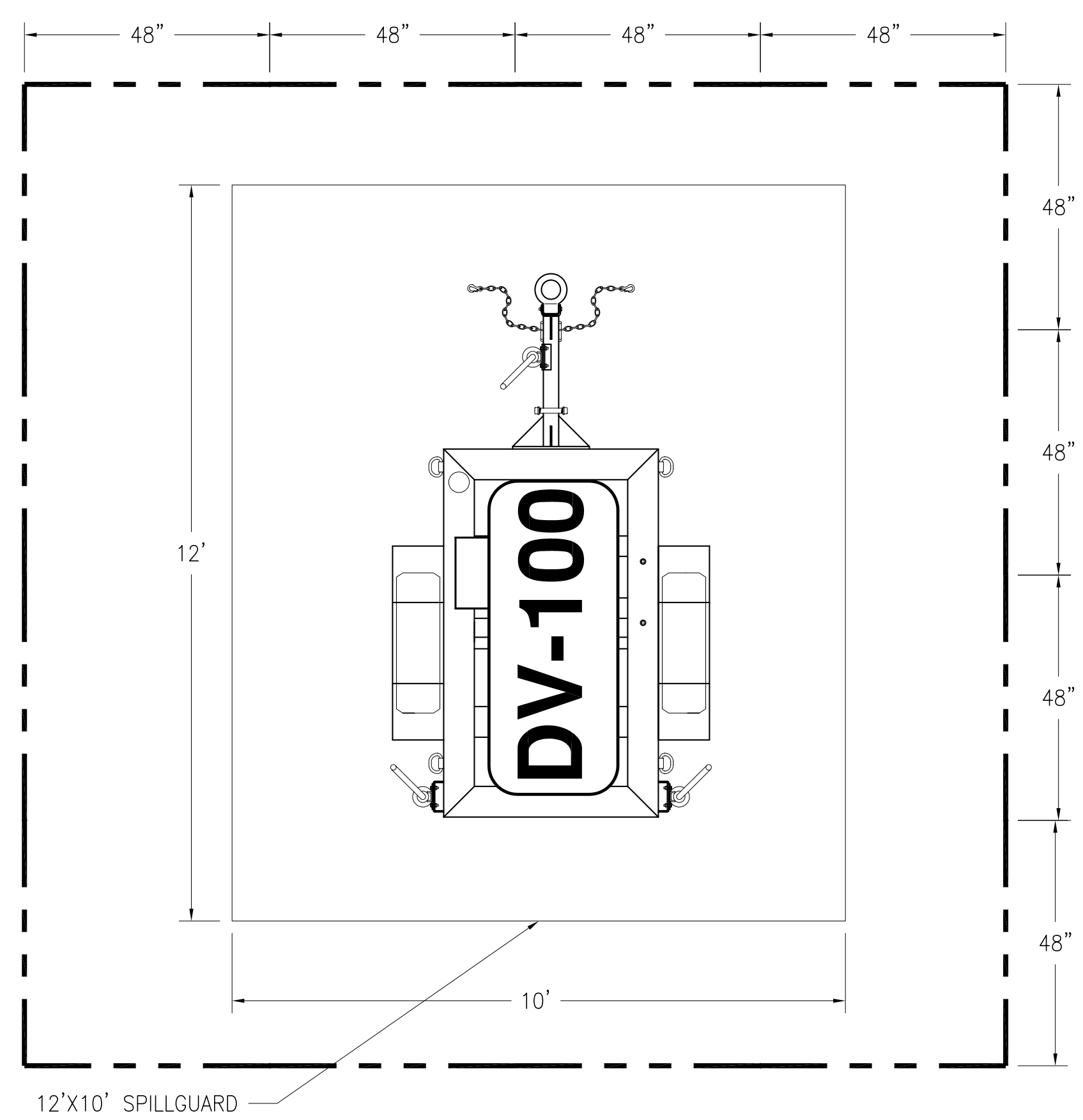
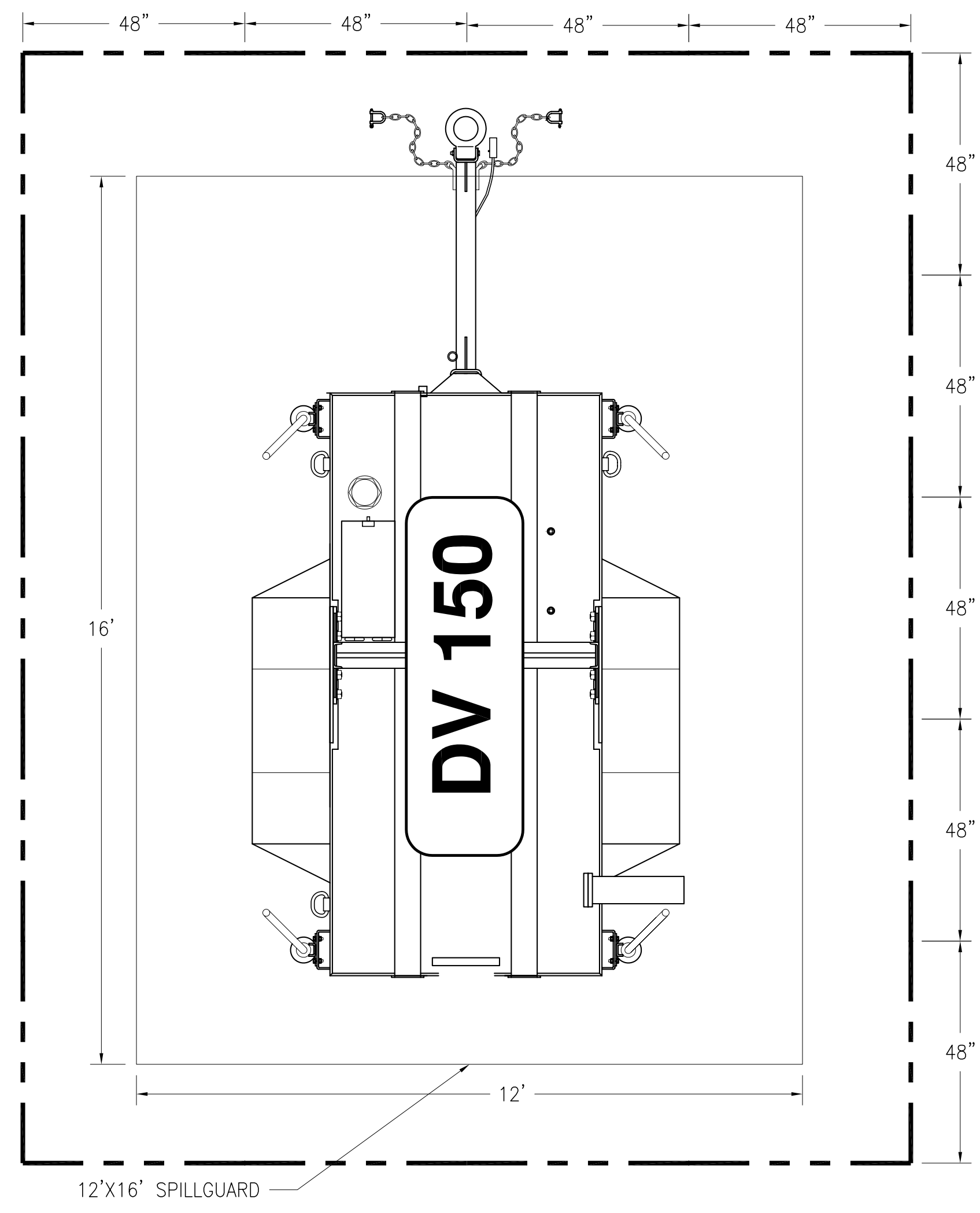
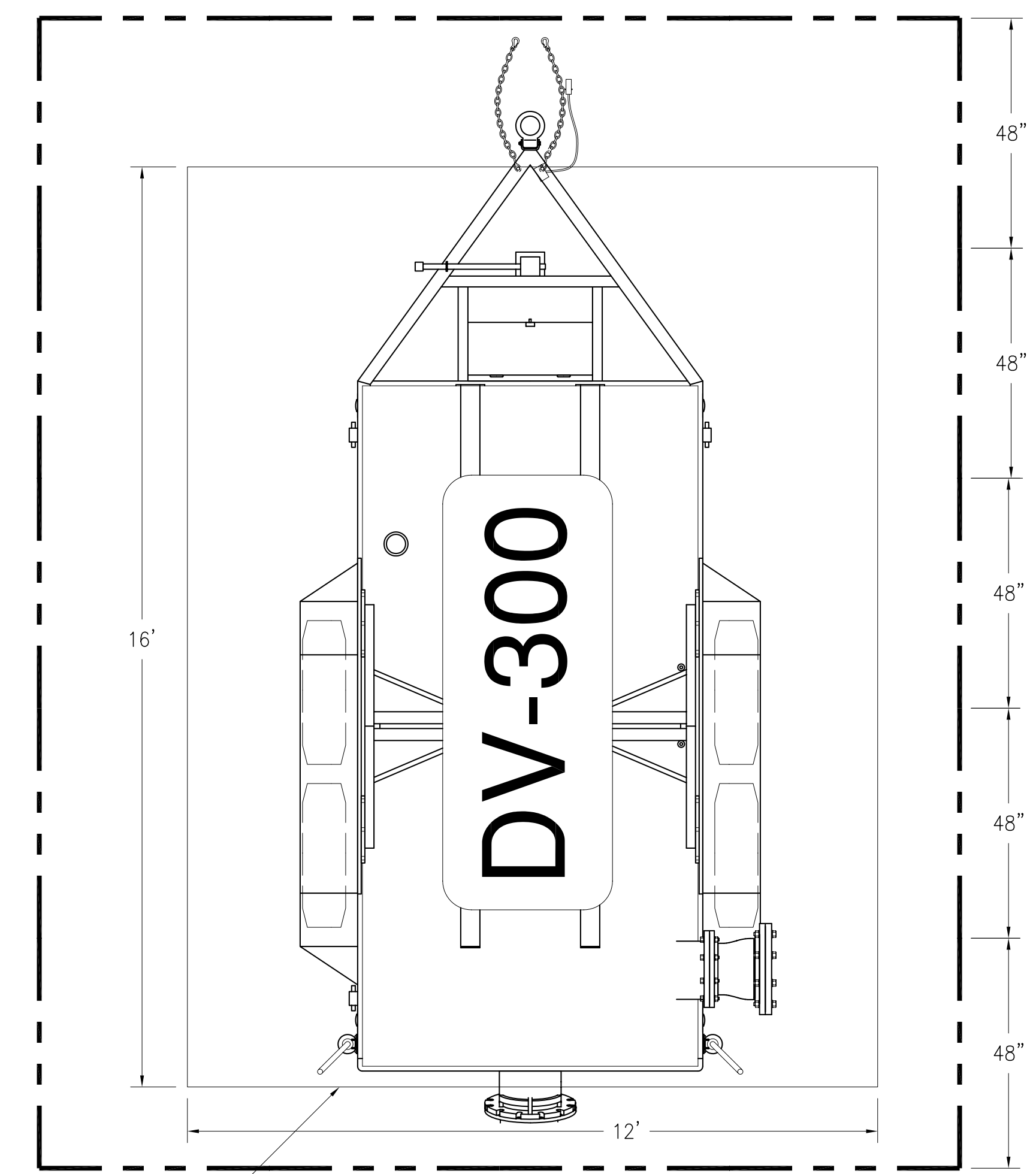
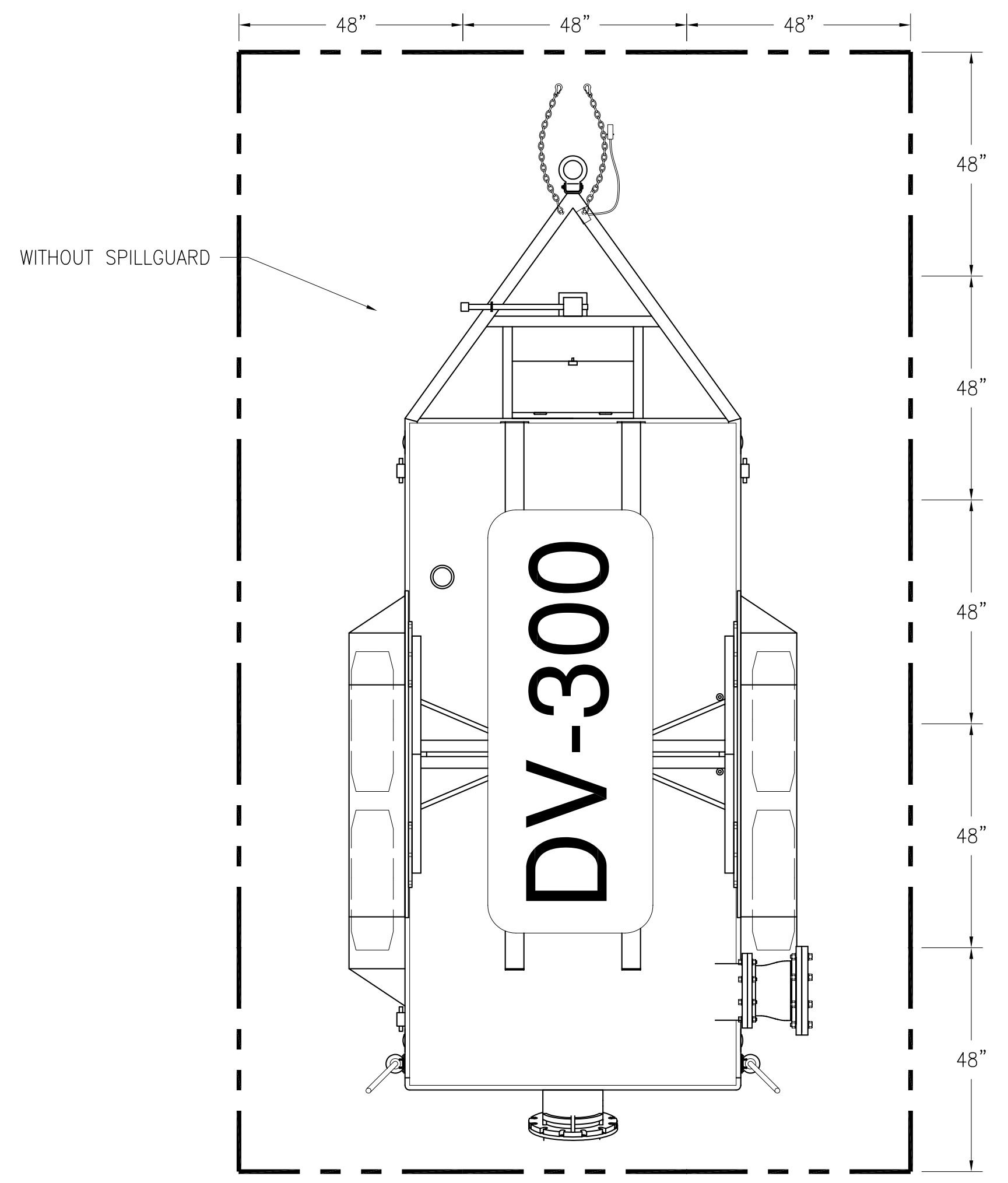


REV.NO.	DESCRIPTION	PREVIOUS DWG	BY	DATE



NOTE:
4' WIDE by 4' HEIGHT by TWO HIGH by 2" THICK
OUTDOOR RATED SOUND CURTAIN

ITEM	QTY.	REF.	DESCRIPTION



12'X16' SPILLGUARD

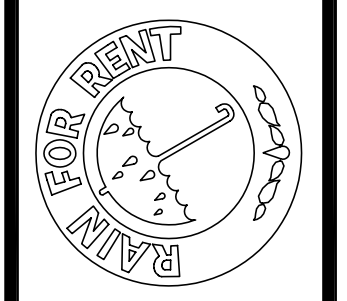
PLAN VIEW

DATE:	09-30-2003
SCALE:	NOT TO SCALE
DESIGNED:	K. KROSS
CHECKED:	K. KROSS
DRAWN:	M. STEVENSON

SoundSentry

4' WIDE X 4' HEIGHT X 2" THICK
OUTDOOR RATED SOUND CURTAINS

**Rain For Rent
Engineering**
3404 STATE ROAD PO BOX 2248 BAKERSFIELD CA 93303



ALL INFORMATION CONTAINED IN OR
DISCLOSED BY THIS DOCUMENT IS
CONSIDERED CONFIDENTIAL AND
NOT TO BE REPRODUCED OR
DISCLOSED TO ANY OTHER PARTY
WITHOUT THE WRITTEN CONSENT
OF RAIN FOR RENT.

1	SHEET	1
DRAWING NUMBER		
104103		
JOB NUMBER		
1030953		