

| REVISIONS |             |      |          |
|-----------|-------------|------|----------|
| REV       | DESCRIPTION | DATE | APPROVED |
|           |             |      |          |

SUCTION = 6" - 150LB. FLANGE  
DISCHARGE = 6" 150LB. FLANGE  
SHIPPING WEIGHT - 3400LBS. (EMPTY FUEL TANK WEIGHT)  
FUEL TANK CAPACITY = 120 GALLONS

|         |          |
|---------|----------|
| Scale   | 12/20/99 |
| Drawn   | NIS      |
| Checked |          |
| DATE    |          |

PERKINS ENGINE, INC. is authorized to provide this information for informational purposes only. This information is not intended to be used as a substitute for the actual product. The user is responsible for verifying the accuracy of this information. © 1999 Perkins Engine, Inc.

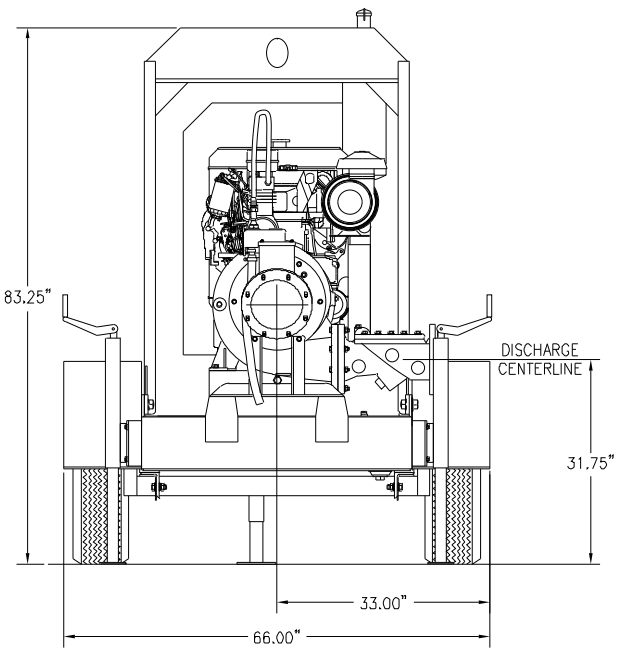
3400 State Road, P.O. Box 2818, Belvidere, IL 61214  
**POWER PRIME PUMPS**

**CONCEPTUAL DRAWING**

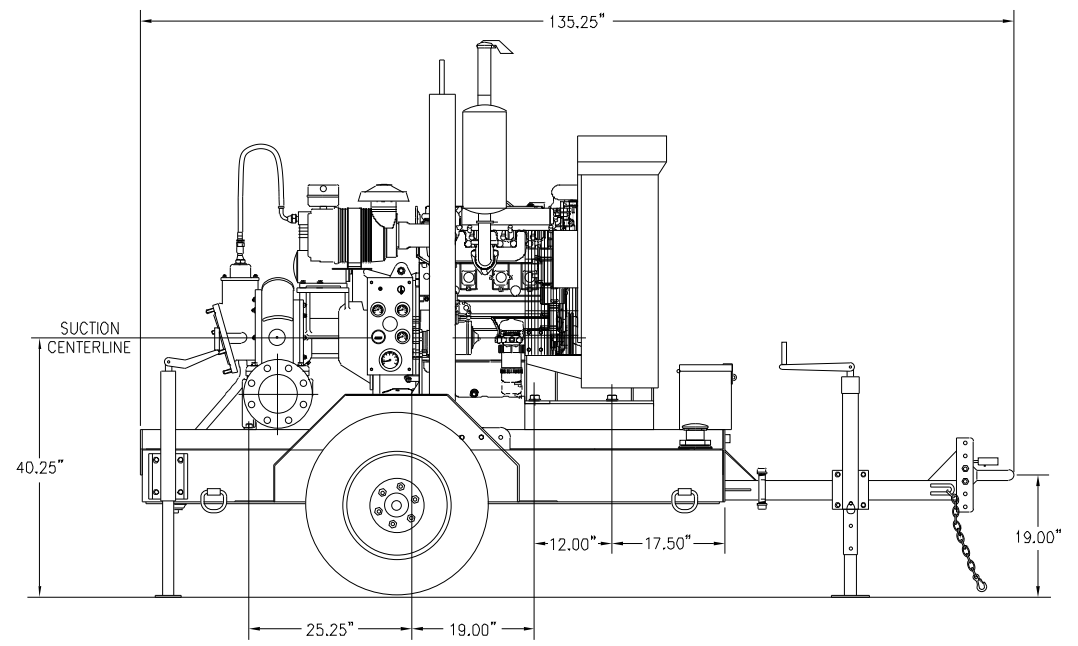
**DV-150**  
GP-120/PERKINS 1004.42

1 of 1  
Drawing Number

Job Number  
991207P



**END VIEW**



**SIDE VIEW**