

REVISIONS			
REV	DESCRIPTION	DATE	APPROVED
1	FINAL BUILD	11/23/98	RAR
2	CHANGE PANEL AND SUPPORT	11/11/99	RAR
3	CHANGE COMPRESSOR TO EMGLO	11/18/99	RAR

SUCTION FLANGE IS 6" - 150LB.
DISCHARGE FLANGE IS 6" - 150LB.
ASSEMBLY WEIGHT: 1650LB.

Date 9/7/97
Scale NIS
Author
Checked RAR

Author: RAR
Checked: RAR
Date: 9/7/97
Scale: NIS
Title: DV-150 Electric Open Skid/50HP Motor

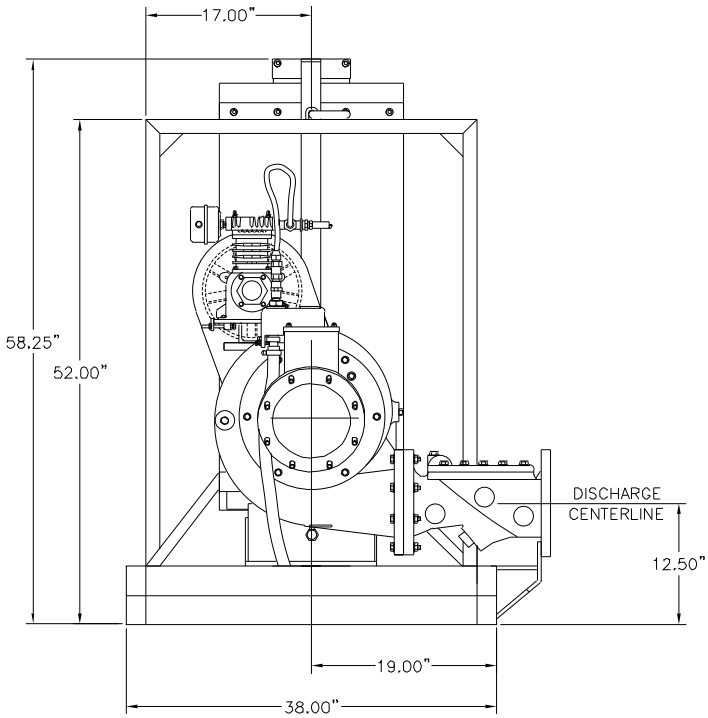
POWER PRIME PUMPS
3044 State Road, P.O. Box 2248, Bakersfield, CA 93303

CONCEPTUAL DRAWING

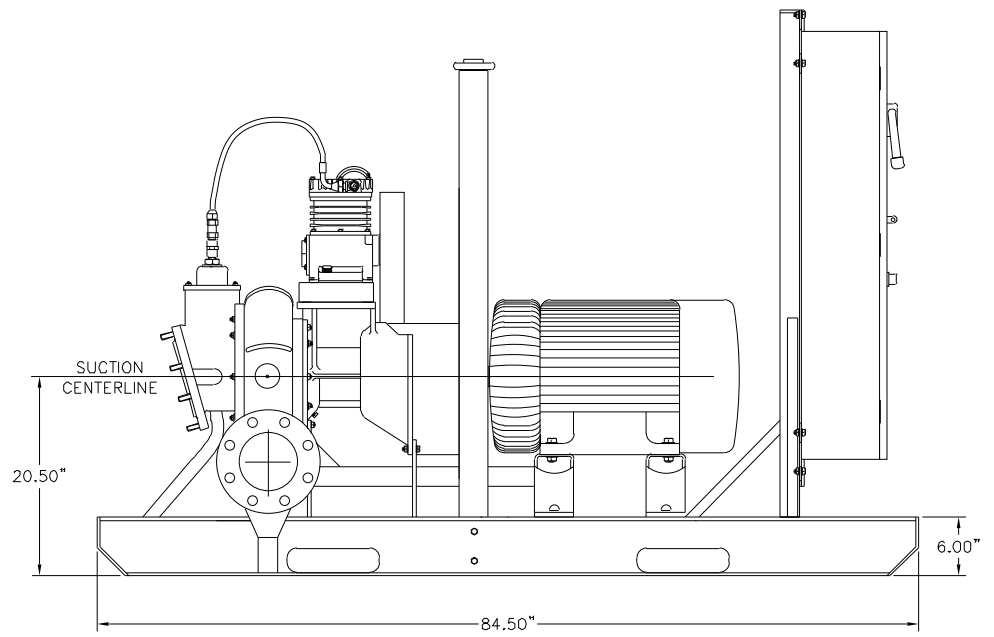
DV-150 ELECTRIC OPEN SKID/50HP MOTOR

1 of 1
Drawing Number

Job Number
970904P



END VIEW



SIDE VIEW