

REVISIONS			
REV	DESCRIPTION	DATE	APPROVED

SUCTION = 8" - 150LB. FLANGE
DISCHARGE = 8" 150LB. FLANGE
SHIPPING WEIGHT = 3500LB. (EMPTY FUEL TANK WEIGHT)
FUEL TANK CAPACITY = 120 GALLONS

Scale	3/10/00
Author	NIS
Checked	
Drawn	
Sheet	1/1

POWER
PRIME
PUMPS

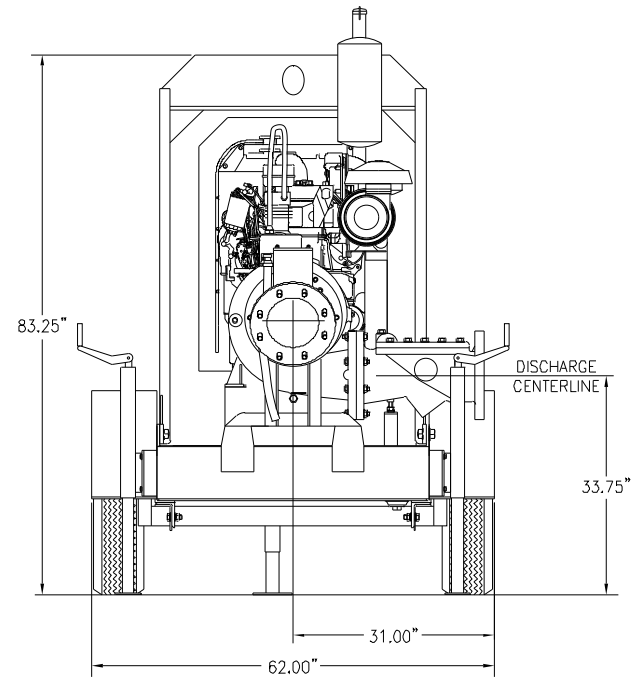
2001 State Road, P.O. Box 2510, Hayward, CA 94620

CONCEPTUAL
DRAWING

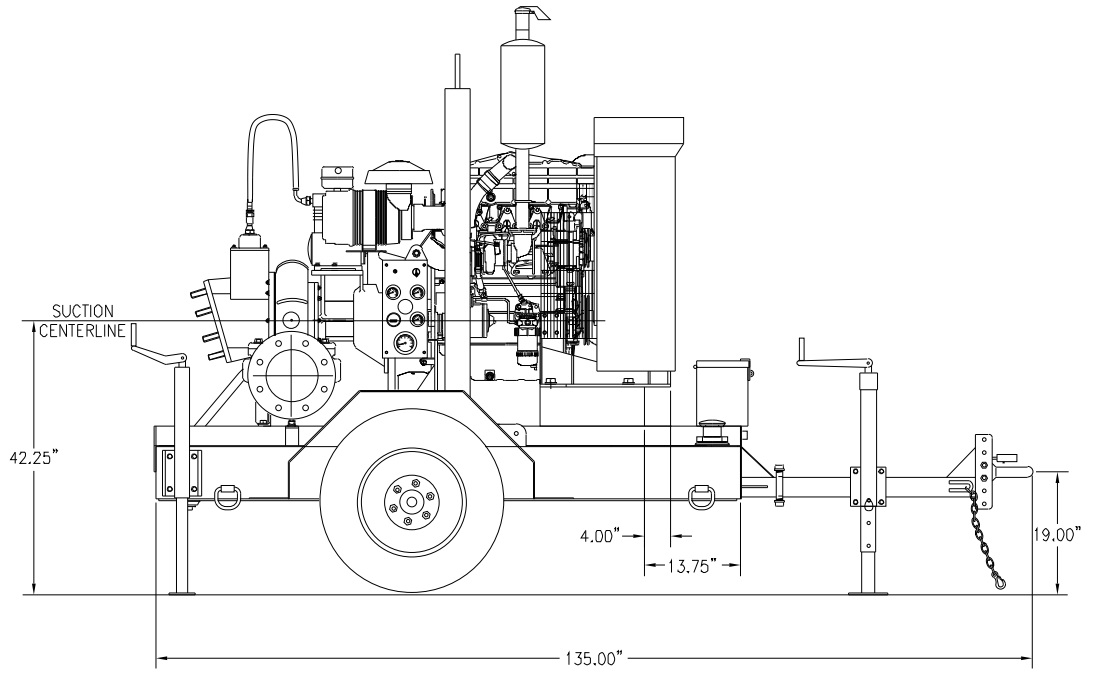
DV-200
GP-120/PERKINS 1004.40TW

1 of 1
Drawing Number

Job Number
000305P



END VIEW



SIDE VIEW