

REVISIONS			
REV	DESCRIPTION	DATE	APPROVED

SUCTION = 3" - 150LB. FLANGE
DISCHARGE = 3" 150LB. FLANGE
FUEL TANK CAPACITY = 120 GALLONS

Rev	9/13/00
Scale	N/S
Designed	
Checked	
Drawn	RAAS

PERKINS ENGINE, INC.
12001 PERKINS DRIVE
MILWAUKEE, WI 53191
TEL: 414-224-2000
FAX: 414-224-2001
WWW.PERKINS.COM

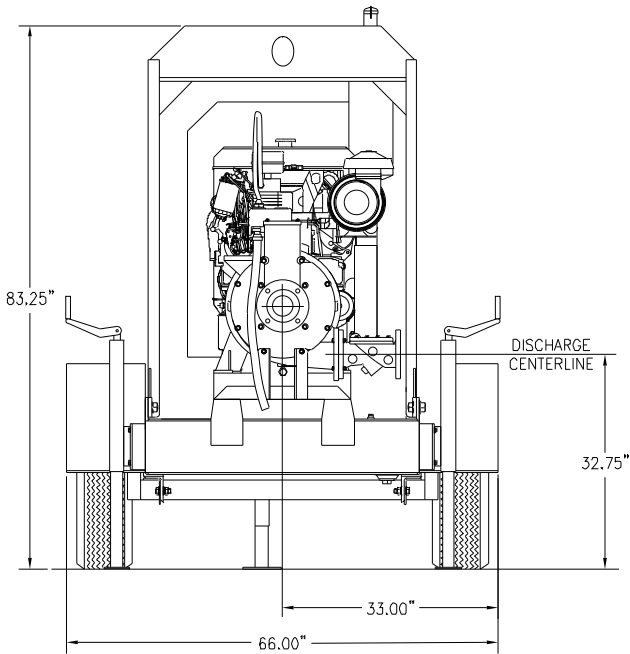
**POWER
PRIME
PUMPS**
2404 State Road, P.O. Box 2218, Hayward, CA 94523

**CONCEPTUAL
DRAWING**

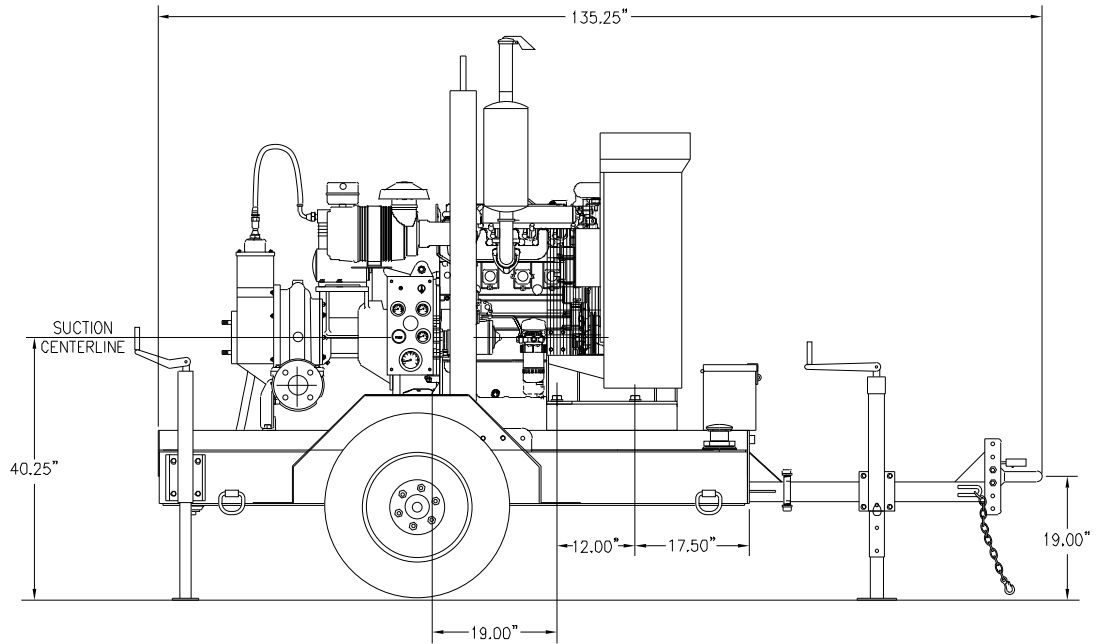
**HH-80
GP-120/PERKINS 1004.42**

1 of 1
Drawing Number

Job Number
000907P



END VIEW



SIDE VIEW