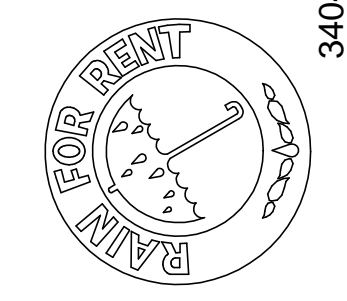


UNLESS OTHERWISE SPECIFIED  
 INTERPRET PER ASME Y14.24  
 AND Y14.34A-Y14.35M  
 ALL DIMENSIONS ARE IN INCHES  
 ALL DIMENSIONS BEFORE PLATING  
 MACHINED SURFACES TO BE LISTED IN TITLE  
 SHEET SCALE IS AS LISTED IN TITLE  
 BLOCK UNLESS SPECIFIED  
 OTHERWISE  
 FRACTIONAL: 1/16  
 DECIMALS: .010  
 .XX = ±.030  
 .X = ±.100  
 ANGLES: ±0° .30'

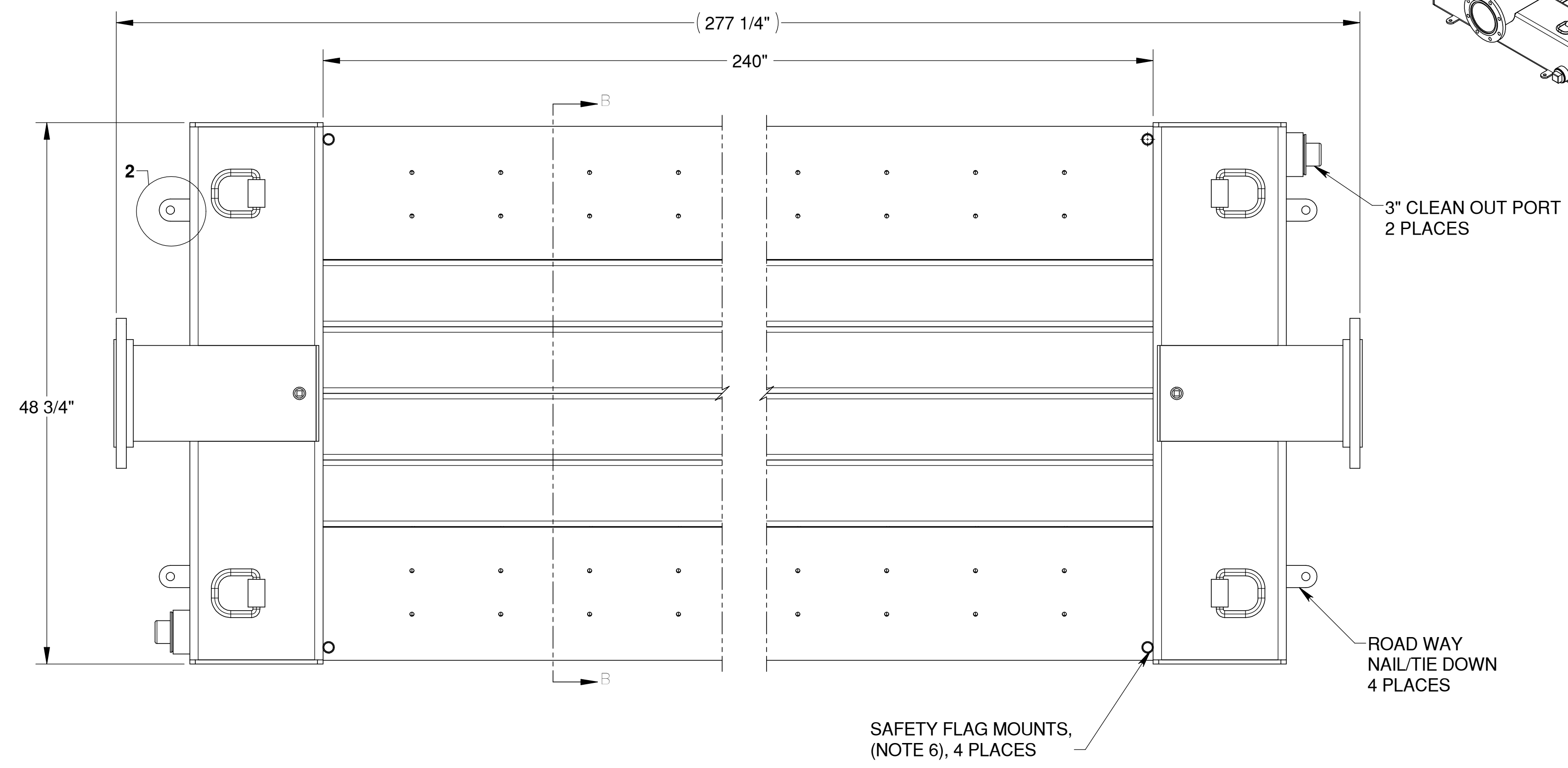
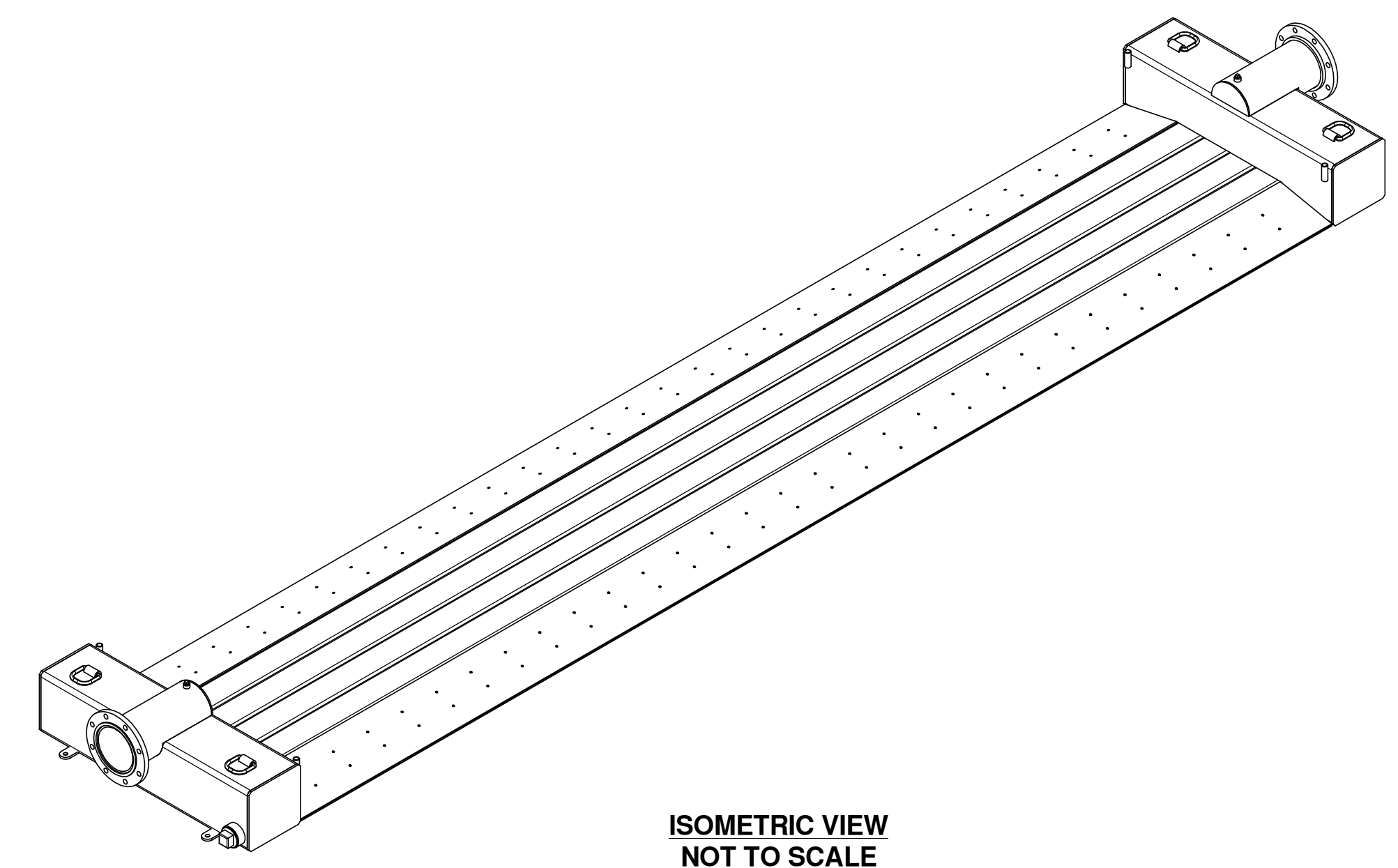
**8" X 20' ROAD CROSSING  
 W/ EXTENDED ANGLES**  
**SALES / REFERENCE DRAWING**

**Rain For Rent  
 Engineering**  
 3404 State Road PO Box 2248 Bakersfield CA 93303

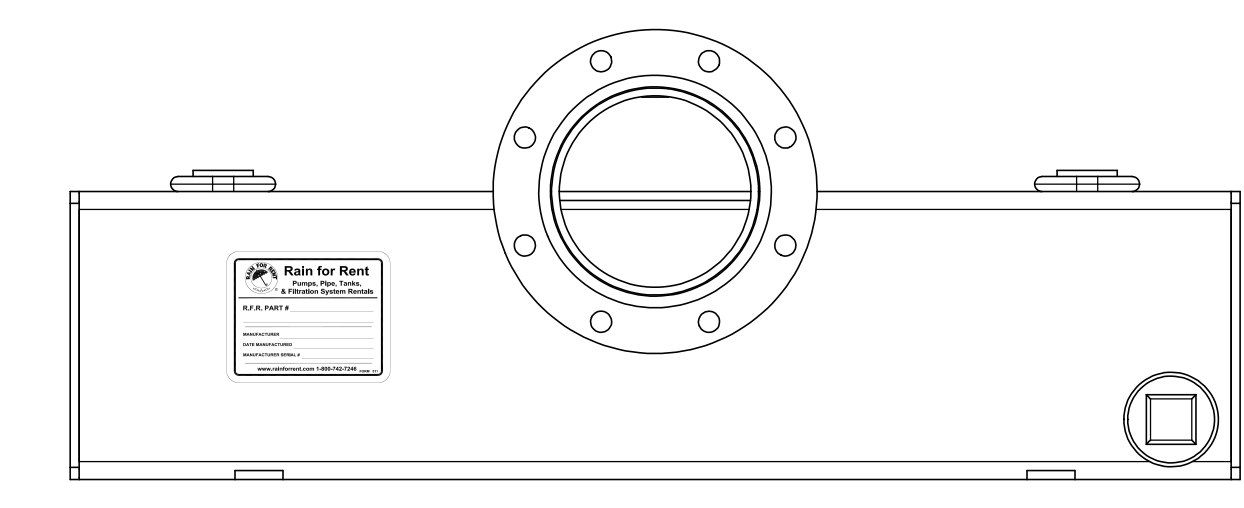
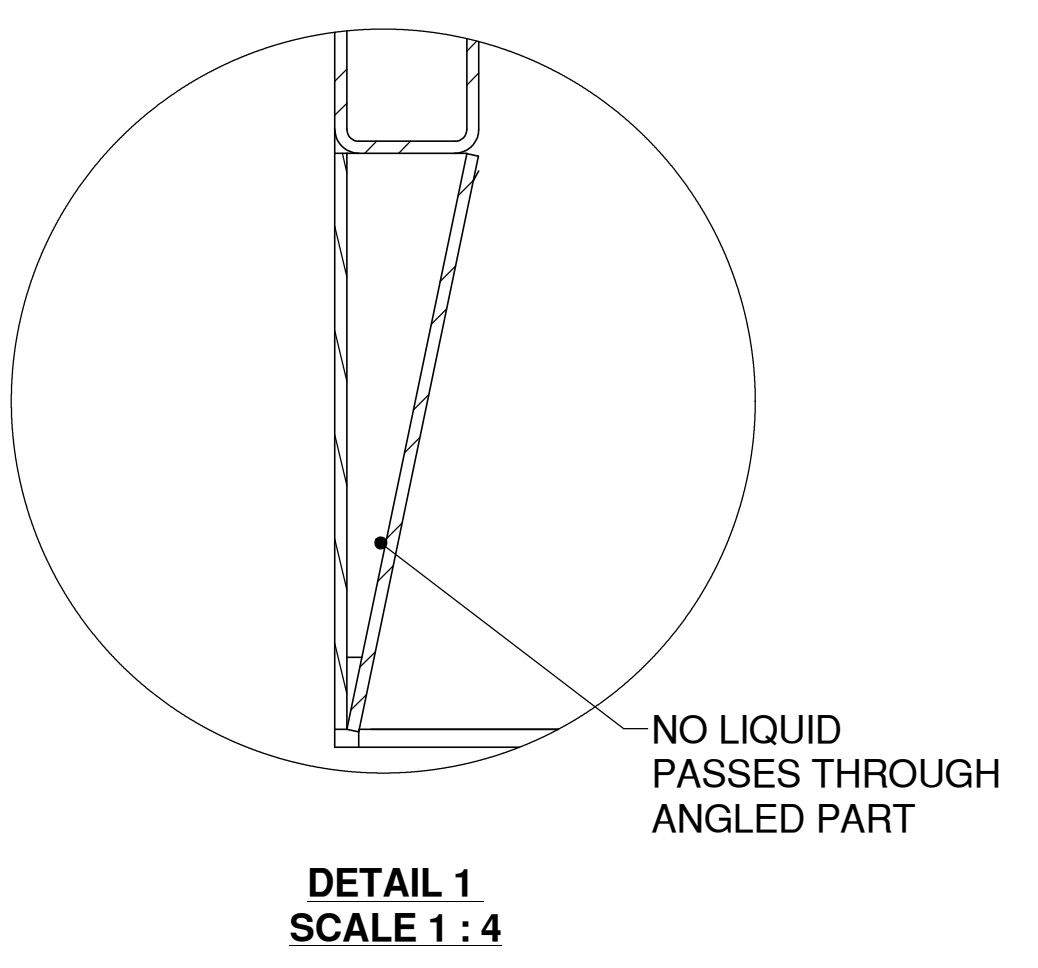
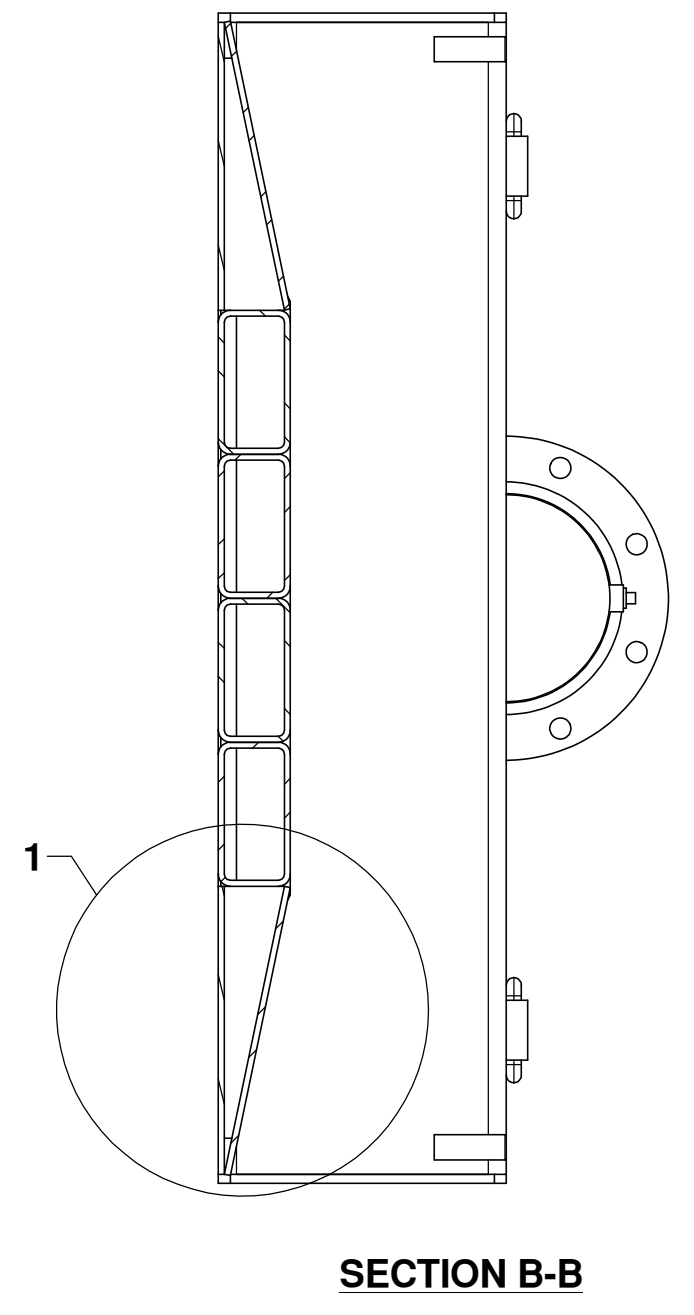
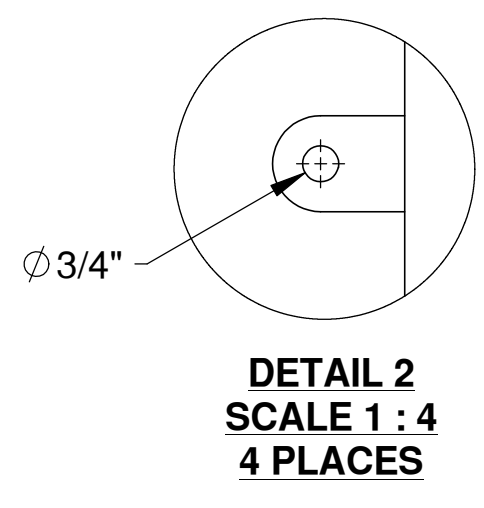


ALL INFORMATION CONTAINED IN OR  
 DISCLOSED BY THIS DOCUMENT IS  
 CONSIDERED CONFIDENTIAL AND  
 PROPRIETARY BY RAIN FOR RENT  
 ALL DISCLOSURES OF DESIGN IN-  
 FORMATION AND REPRODUCTION OF  
 THIS DOCUMENT AND ALL SALES  
 RIGHTS ARE EXCLUSIVELY RESER-  
 VED BY AND TO RAIN FOR RENT  
 AND COMMUNICATION OF THIS IN-  
 FORMATION TO OTHERS IS PRO-  
 HIBITED WITHOUT THE PRIOR WRIT-  
 TEN CONSENT OF RAIN FOR RENT.

DATE: 12/11/2003 SCALE: 1:8  
 DESIGNED BY: K.KROSS  
 CHECKED BY: K.KROSS  
 DRAWN BY: M.STEVENSON  
 JOB NUMBER: 1021213  
 DRAWING NUMBER: 103509-1\_2  
 SHEET: 1 of 1 SHT SIZE: REV NO: D



- NOTE:**
1. GALVANIZED IN ACCORDANCE WITH ASTM A 384 & A 385 STANDARDS.
  2. ADD WHITE OR ORANGE D.O.T. REFLECTOR TAPE AS INDICATED ON SQUARE TUBING.
  3. PLACE A 6" RAIN FOR RENT LOGO STICKER WITH 1-800 NUMBER, FORM #437, AS INDICATED. (ORDER R.F.R. 1-800 DECAL FROM RAIN FOR RENT.)
  4. PRESSURE TEST BEFORE AND AFTER GALVANIZING WITH WATER AT 112 PSI FOR MINIMUM OF 5 MINUTES TO CHECK FOR LEAKS.
  5. WORKING PRESSURE 75-PSI MAX.
  6. MOUNTING POINTS FOR STANDARD SAFETY WARNING FLAGS, (GRAINGER ITEM #4A415, 18" X 18" RED/ORANGE WITH 3/4" DIAMETER DOWEL OR EQUIVALENT), (SUPPLY WITH ROAD CROSSING)
  7. APPROXIMATE WEIGHT - \_\_\_\_\_ LBS. EMPTY.
  8. MAINTAIN FLANGE SURFACE..
  9. USE DECAL (FORM #511) TO STAMP ASSEMBLY WITH MANUFACTURE NAME AND DATE ASSEMBLY WAS MANUFACTURED.
  10. CONTACT RAIN FOR RENT ENGINEERING DEPARTMENT FOR APPROVAL BEFORE ANY CHANGE IN DESIGN.



REV. NO.	DESCRIPTION	PREV. DWG	BY	DATE