

Ag/Clear Water Pump

4HH

Overview:

The 6" suction x 4" discharge self-priming centrifugal 4HH clearwater/agricultural pump provides up to a maximum of 1,600 gallons per minute pumping and up to 420 feet of head. This pump is usually mounted on a trailer and features the standard PowerPrime Pumps Clean Prime Venturi priming system which allows it to run continuously, unattended and even run dry.

Features:

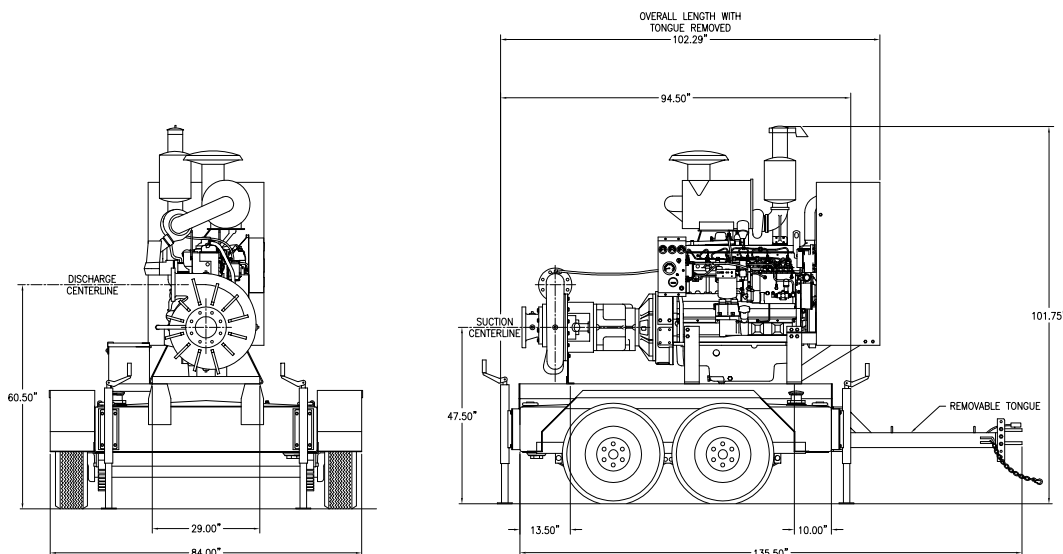


Specs:

Maximum Flow	1,600 GPM
Maximum Head	420 feet
Pump Size	6" x 4"
Maximum Solids Handling	0.41 inches
Dry weight	
Footprint	136" x 84"

Accessories:

- Spillguard
- Suction and Discharge Hoses
- Fuel Nurse Tank
- VFD for electric driven models



PUMPS • TANKS • FILTRATION • PIPE • SPILLGUARDS

Rain for Rent is a registered trademark of Western Oilfields Supply Company. Features and specifications are subject to change without notice.

Liquid ingenuity.™

800-742-7246
rainforrent.com



Rain For Rent

CURVE: 01-0133-02-47

PUMP : 4HH

SUCTION 6"

DISCHARGE 4"

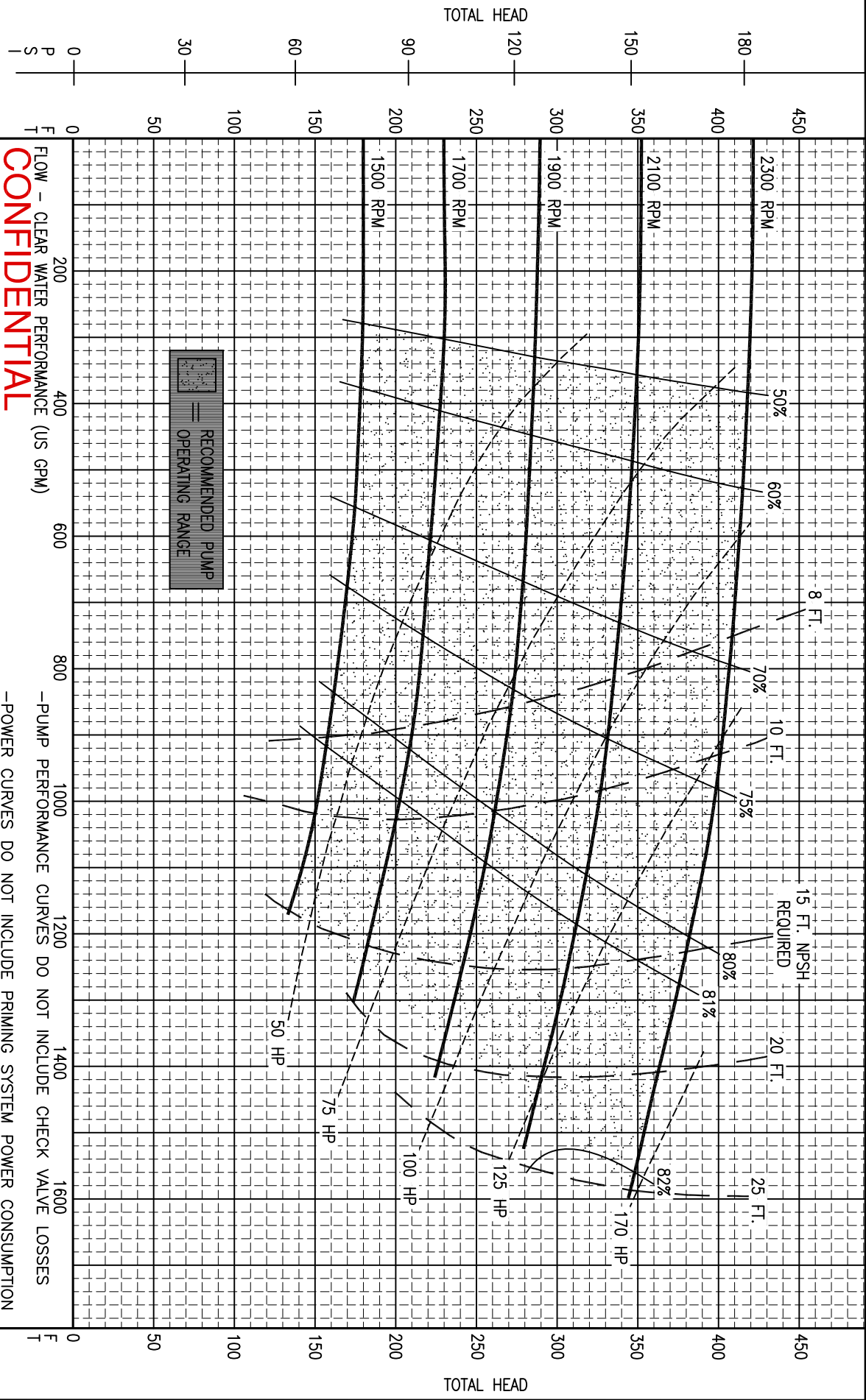
MAX. SPHERE 0.62"

IMPELLER 6 VANE

IMPELLER 15.22"

IMPELLER & WEAR RINGS BRASS

ALL INFORMATION CONTAINED IN OR DISCLOSED BY THIS DOCUMENT IS CONSIDERED CONFIDENTIAL AND PROPRIETARY BY RAIN FOR RENT. ALL DISCLOSURES OF DESIGN INFORMATION AND REPRODUCTION OF THIS DOCUMENT AND ALL SALES RIGHTS ARE EXCLUSIVELY RESERVED BY AND TO RAIN FOR RENT AND COMMUNICATION OF THIS INFORMATION TO OTHERS IS PROHIBITED WITHOUT THE PRIOR WRITTEN CONSENT OF RAIN FOR RENT



FLOW - CLEAR WATER PERFORMANCE (US GPM)

CONFIDENTIAL

-PUMP PERFORMANCE CURVES DO NOT INCLUDE CHECK VALVE LOSSES
-POWER CURVES DO NOT INCLUDE PRIMING SYSTEM POWER CONSUMPTION