

Bag Filter

BF400

ASME

Overview:

The BF400 ASME bag filter unit features four bag filter tanks and utilizes 7" x 30" bag filters for superior filtration from 1 to 100 micron for flows up to 400 GPM.

Features:

- No moving parts
- Skid mounted
- Fitted with bleed valves and pressure gauges
- Chambers constructed of 304L Stainless Steel
- Piping constructed of 304L Stainless Steel
- Stainless Steel inlet and outlet manifolds
- System can stand alone for sediment removal or be used in combination with filter equipment

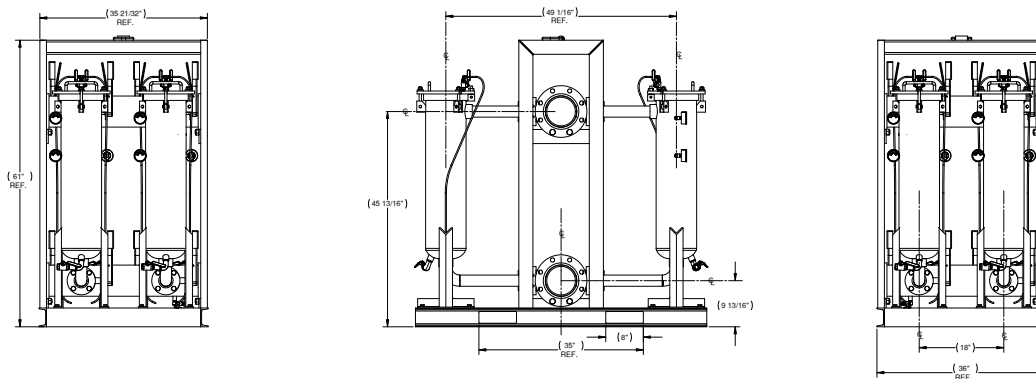
Specs:

| | |
|----------------|----------------------|
| Max Flow | 400 GPM |
| Material | 304L Stainless Steel |
| Max PSI | 150 PSI |
| Dry weight | 800 lbs. |
| Footprint: | 62" x 36" |
| Inlet x outlet | 6" x 6" Flange |



Accessories:

- Spillguard
- Suction and Discharge Hoses



PUMPS • TANKS • FILTRATION • PIPE • SPILLGUARDS

Rain for Rent is a registered trademark of Western Oilfields Supply Company. Features and specifications are subject to change without notice.



Liquid Ingenuity®
800-742-7246
rainforrent.com