

Sewage and Trash Pump

DV150i

Overview:

The 6" suction x 6" discharge self-priming centrifugal DV150i trash pump provides up to a maximum of 2,750 gallons per minute pumping and up to 195 feet of head. This pump is usually mounted on a trailer and features the standard PowerPrime Clean Prime Venturi priming system which allows it to run continuously, unattended and even run dry.

Features:

- Continuous self-priming
- Runs dry unattended
- 12 volt, electric start with auto-start capable control panel
- Flex coupled to diesel engine
- 24-hour minimum capacity fuel tank
- Compressor fitted to operate the air-ejector priming system
- Cast iron wet end with open impellers
- Replaceable wear plates
- SAE Mounted
- Suction lift up to 28ft.

Specs:

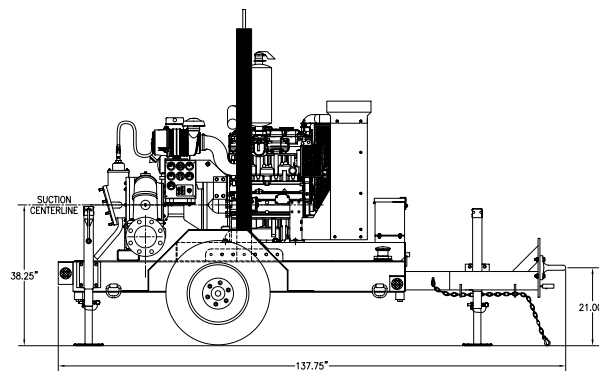
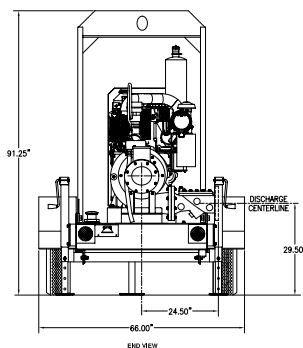
Maximum Flow	2,750 GPM
Maximum Head	195 feet
Pump Size	6" x 6"
Maximum Solids Handling	3 inches
Dry weight	4,350 lbs.
Footprint: Trailer mounted model	137.75" x 91.25"
Fuel tank	120 gallon
Fuel consumption	4.7 gph @ 2,200 RPM
Sound Attenuation (Option):	73 dBA @ 23 feet



The DV150i is also available sound attenuated.

Accessories:

- E-Contain® Spillguards
- SolidGround® Traction Mats
- Suction and Discharge Hoses
- PipeStax®
- Instrumentation
- VFD - For electric pump models



PUMPS • TANKS • FILTRATION • PIPE • SPILLGUARDS

Rain for Rent is a registered trademark of Western Oilfields Supply Company. Features and specifications are subject to change without notice.

Liquid Ingenuity®
800-742-7246
rainforrent.com



Rain For Rent

CURVE: 01-0133-02-23

PUMP : DV-150i

ALL INFORMATION CONTAINED IN OR DISCLOSED BY THIS DOCUMENT IS CONSIDERED CONFIDENTIAL AND PROPRIETARY BY RAIN FOR RENT. ALL DISCLOSURES OF DESIGN INFORMATION AND REPRODUCTION OF THIS DOCUMENT AND ALL SALES RIGHTS ARE EXCLUSIVELY RESERVED BY AND TO RAIN FOR RENT AND COMMUNICATION OF THIS INFORMATION TO OTHERS IS PROHIBITED WITHOUT THE PRIOR WRITTEN CONSENT OF RAIN FOR RENT

SUCTION
6"

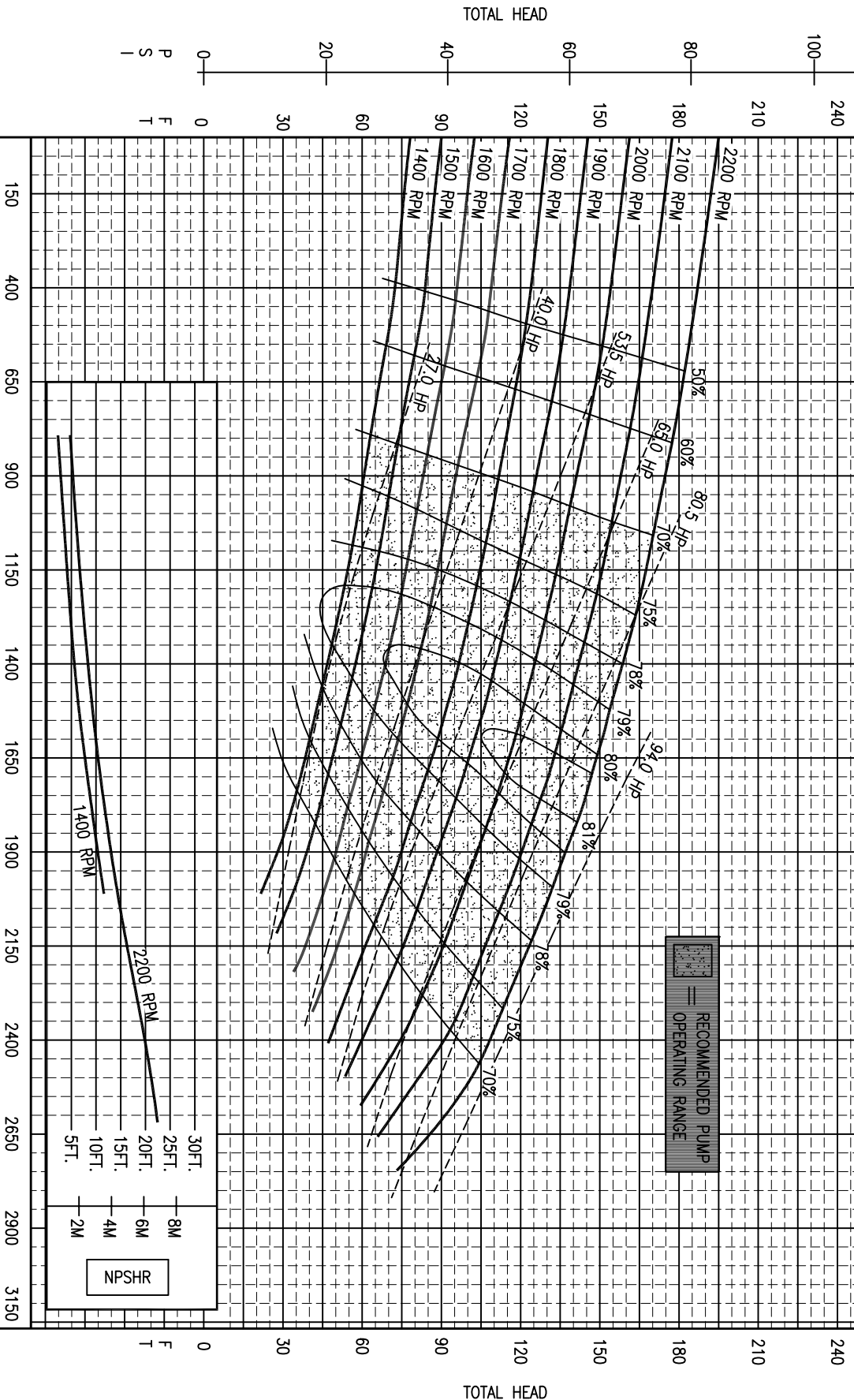
DISCHARGE
6"

MAX. SPHERE
3"

IMPELLER
2 VANE

IMPELLER
11.2"

IMPELLER &
WEAR RINGS
316 S/S



FLOW - CLEAR WATER PERFORMANCE (US GPM)
CONFIDENTIAL

-PUMP PERFORMANCE CURVES DO NOT INCLUDE CHECK VALVE LOSSES
-POWER CURVES INCLUDE AIR COMPRESSOR POWER CONSUMPTION