

Electric Trash Pump

DV200CE

Overview:

The 12" suction x 8" discharge self-priming centrifugal DV200CE electric trash and sewage pump provides up to a maximum of 4,500 gallons per minute pumping and up to 235 feet of head. This pump is usually mounted on a skid and features the standard PowerPrime Clean Prime Venturi priming system which allows it to run continuously, unattended and even run dry.

Features:

- Continuous self-priming
- Runs dry unattended
- Compressor fitted to operate the air-ejector priming system
- 2 vane, cast iron, 14" impeller
- Suction lift up to 28ft.
- Hot Dip Galvanized Open Skids with fork lift tubes
- Four corner bolt down angles
- Stainless steel and CD4MCu pump end options
- 150hp 60Hz TEFC hostile duty dual voltage (230/460V) motor
- Fitted 480 volt control panels are equipped with motor protection
- Panels are equipped with terminal blocks for remote float switches

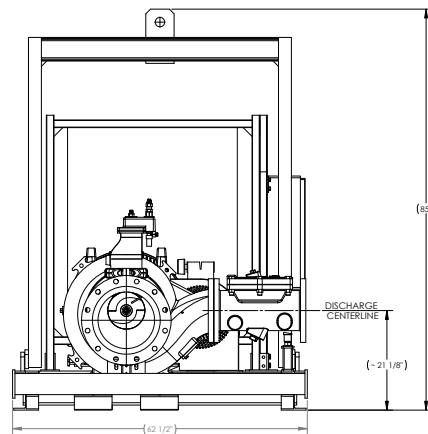
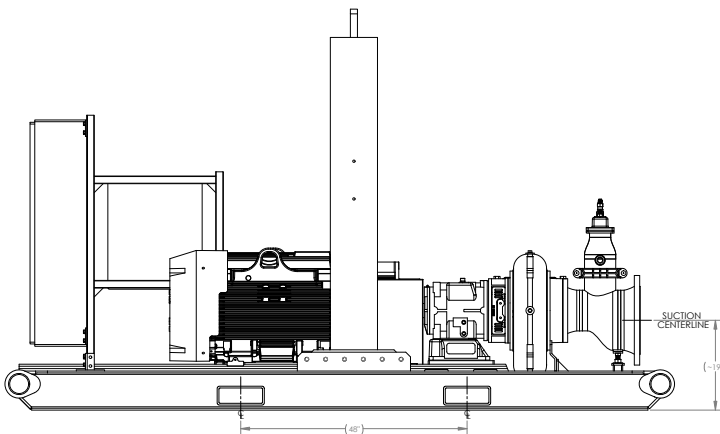
Specs:

Maximum Flow	4,500 GPM
Maximum Head	235 feet
Pump Size	12" x 8"
Maximum Solids Handling	3.375 inches
Operating Speed	1,760 rpm
Dry weight	5,250 lbs
Footprint	142" x 62.5"



Accessories:

- Spillguard
- Variable Frequency Drive



PUMPS • TANKS • FILTRATION • PIPE • SPILLGUARDS

Rain for Rent is a registered trademark of Western Oilfields Supply Company. Features and specifications are subject to change without notice.

Liquid Ingenuity®
800-742-7246
rainforrent.com



Rain For Rent

CURVE: 01-0133-02-40

PUMP : DV-200ce

SUCTION 12"

DISCHARGE 8"

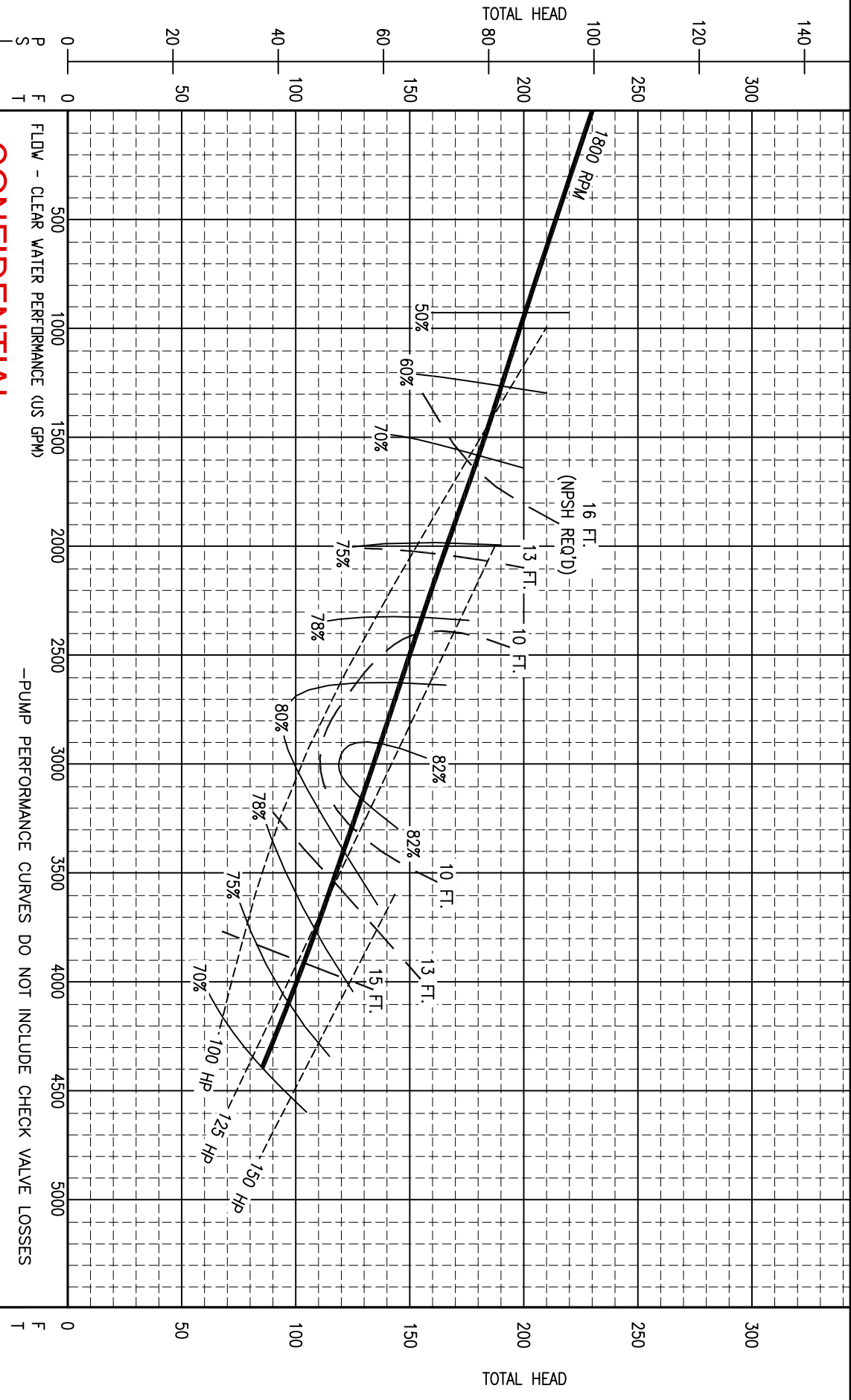
MAX. SPHERE 3.38"

IMPELLER 2 VANE

IMPELLER 14"

IMPELLER & WEAR RINGS CAST IRON

ALL INFORMATION CONTAINED IN OR DISCLOSED BY THIS DOCUMENT IS CONSIDERED CONFIDENTIAL AND PROPRIETARY BY RAIN FOR RENT. ALL DISCLOSURES OF DESIGN INFORMATION AND REPRODUCTION OF THIS DOCUMENT AND ALL SALES RIGHTS ARE EXCLUSIVELY RESERVED BY AND TO RAIN FOR RENT AND COMMUNICATION OF THIS INFORMATION TO OTHERS IS PROHIBITED WITHOUT THE PRIOR WRITTEN CONSENT OF RAIN FOR RENT



FLDW - CLEAR WATER PERFORMANCE (US GPM)

CONFIDENTIAL

-PUMP PERFORMANCE CURVES DO NOT INCLUDE CHECK VALVE LOSSES
-POWER CURVES DO NOT INCLUDE PRIMING SYSTEM POWER CONSUMPTION