

Sewage and Trash Pump

DV325c

Overview:

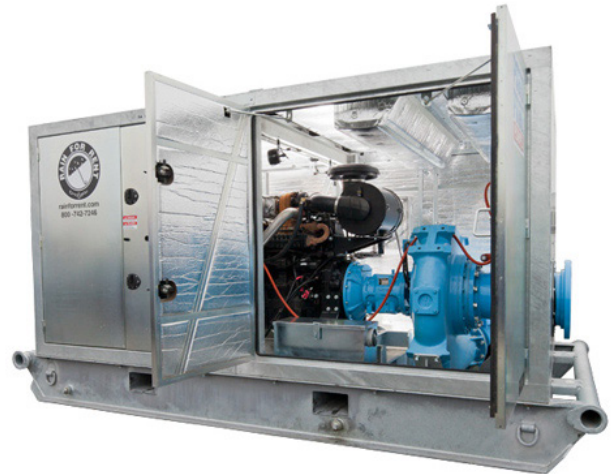
The 14" suction x 12" discharge self-priming centrifugal DV325c trash pump provides up to a maximum of 8,500 gallons per minute pumping and up to 220 feet of head. This pump is usually mounted on a skid with sound attenuation and features the standard PowerPrime Clean Prime Venturi priming system which allows it to run continuously, unattended and even run dry.

Features:

- Continuous self-priming
- Runs dry unattended
- 12 volt, electric start with auto-start capable control panel
- Flex coupled to diesel engine
- 24-hour minimum capacity fuel tank
- Compressor fitted to operate the air-ejector priming system
- Replaceable wear plates
- SAE Mounted
- Suction lift up to 28ft.

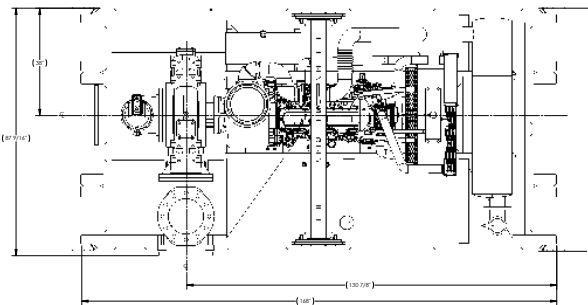
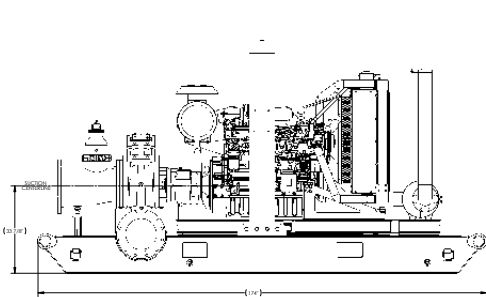
Specs:

| | |
|-------------------------------|----------------------|
| Maximum Flow | 8,500 GPM |
| Maximum Head | 220 feet |
| Pump Size | 14" x 12" |
| Maximum Solids Handling | 4.75 inches |
| Dry weight | 14,000 lbs. |
| Footprint: Skid mounted model | 174" x 86" |
| Fuel tank | 340 gallon |
| Fuel consumption | 12.5 gph @ 1,800 RPM |



Accessories:

- Spillguard
- Suction and Discharge Hoses
- Fuel Nurse Tank
- VFD for electric driven models



PUMPS • TANKS • FILTRATION • PIPE • SPILLGUARDS

Rain for Rent is a registered trademark of Western Oilfields Supply Company. Features and specifications are subject to change without notice.

Liquid Ingenuity®
800-742-7246
rainforrent.com



Rain For Rent

CURVE: 01-0133-02-03

PUMP : DV-325C

SUCTION
14"

DISCHARGE
12"

MAX. SPHERE
4.75"

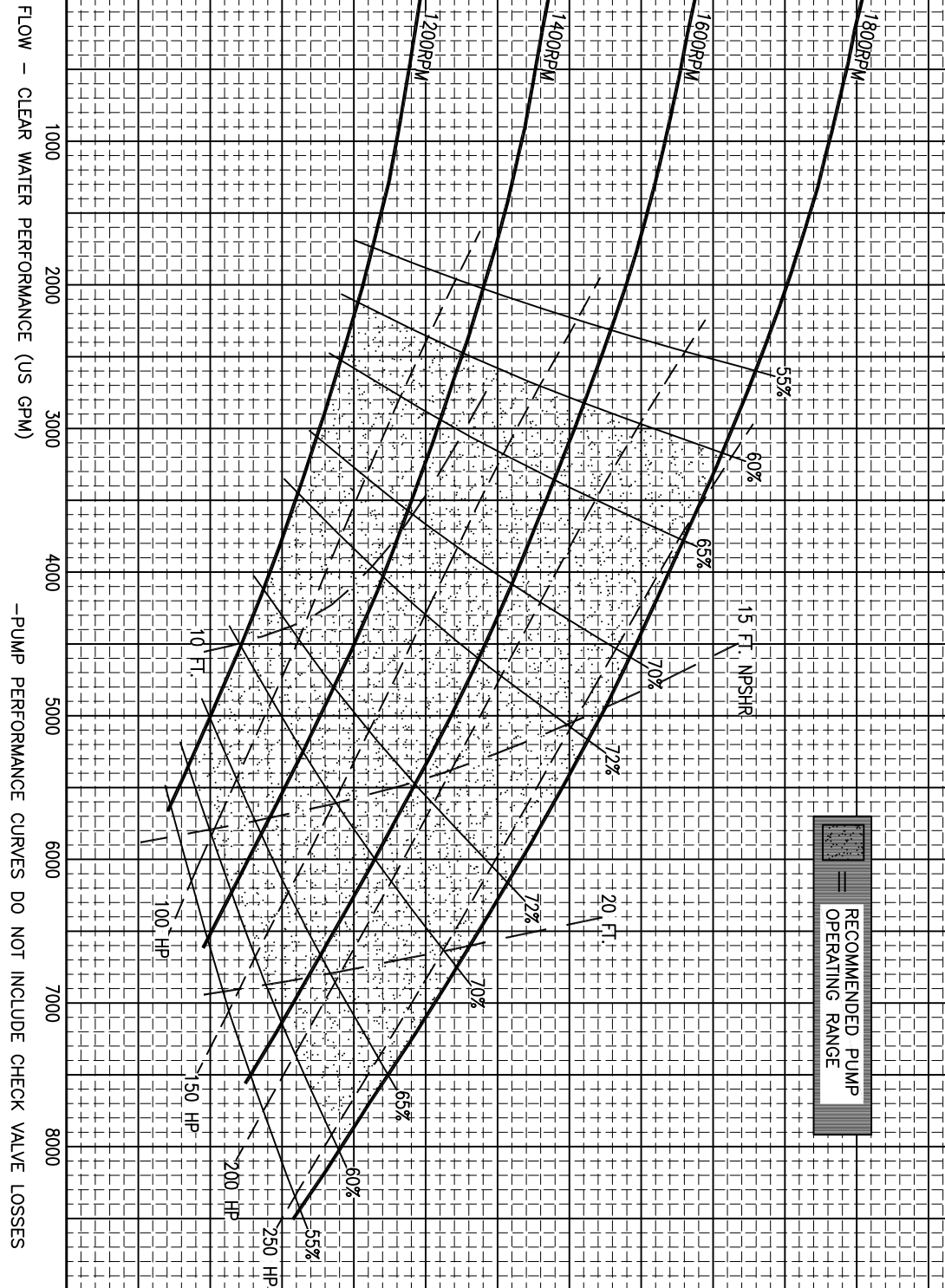
IMPELLER
2 VANE

IMPELLER
15.5"

IMPELLER &
WEAR RINGS
CAST IRON

ALL INFORMATION CONTAINED IN OR DISCLOSED BY THIS DOCUMENT IS CONSIDERED CONFIDENTIAL AND PROPRIETARY BY RAIN FOR RENT. ALL DISCLOSURES OF DESIGN INFORMATION AND REPRODUCTION OF THIS DOCUMENT AND ALL SALES RIGHTS ARE EXCLUSIVELY RESERVED BY AND TO RAIN FOR RENT AND COMMUNICATION OF THIS INFORMATION TO OTHERS IS PROHIBITED WITHOUT THE PRIOR WRITTEN CONSENT OF RAIN FOR RENT

TOTAL HEAD
240
220
200
180
160
140
120
100
80
60
50
40
30
20
10
0
P
I
F
T



TOTAL HEAD
240
220
200
180
160
140
120
100
80
60
50
40
30
20
10
0
P
I
F
T

FLOW - CLEAR WATER PERFORMANCE (US GPM)

-PUMP PERFORMANCE CURVES DO NOT INCLUDE CHECK VALVE LOSSES
-POWER CURVES DO NOT INCLUDE PRIMING SYSTEM POWER CONSUMPTION

CONFIDENTIAL