

Sewage and Trash Pump

DV350c

Overview:

The 14" suction x 14" discharge self-priming centrifugal DV350c trash pump provides up to a maximum of 13,500 gallons per minute pumping and up to 180 feet of head. This pump is usually mounted on a skid with sound attenuation and features the standard vacuum priming system which allows it to run continuously, unattended and even run dry.

Features:

- Continuous self-priming
- Runs dry unattended
- 12 volt, electric start with auto-start capable control panel
- 60 CFM vacuum pump priming system
- Cast iron wet end with open impellers
- Replaceable wear plates
- Pedestal Mounted
- Suction lift up to 28ft.

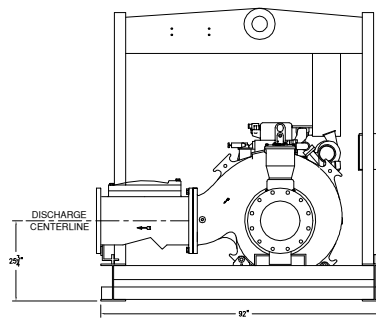
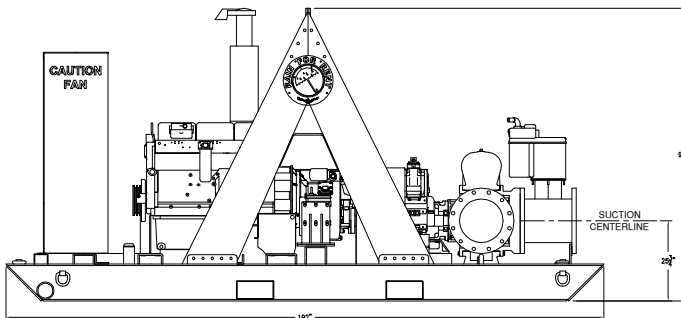
Specs:

Maximum Flow	13,500 GPM
Maximum Head	180 feet
Pump Size	14" x 14"
Maximum Solids Handling	4.25 inches
Dry weight	13,000 lbs.
Footprint: Trailer mounted model	192" x 92"
Fuel tank	100 gallon
Fuel consumption	17 gph @ 1,900 RPM



Accessories:

- Spillguard
- Suction and Discharge Hoses
- Fuel Nurse Tank
- VFD for electric driven models



PUMPS • TANKS • FILTRATION • PIPE • SPILLGUARDS

Rain for Rent is a registered trademark of Western Oilfields Supply Company. Features and specifications are subject to change without notice.

Liquid Ingenuity
800-742-7246
rainforrent.com



Rain For Rent

CURVE: 01-0133-02-19
PUMP: DV-350C

SUCTION 14"

DISCHARGE 14"

MAX. SPHERE 4.25"

IMPELLER ENCLOSED

IMPELLER 19.5"

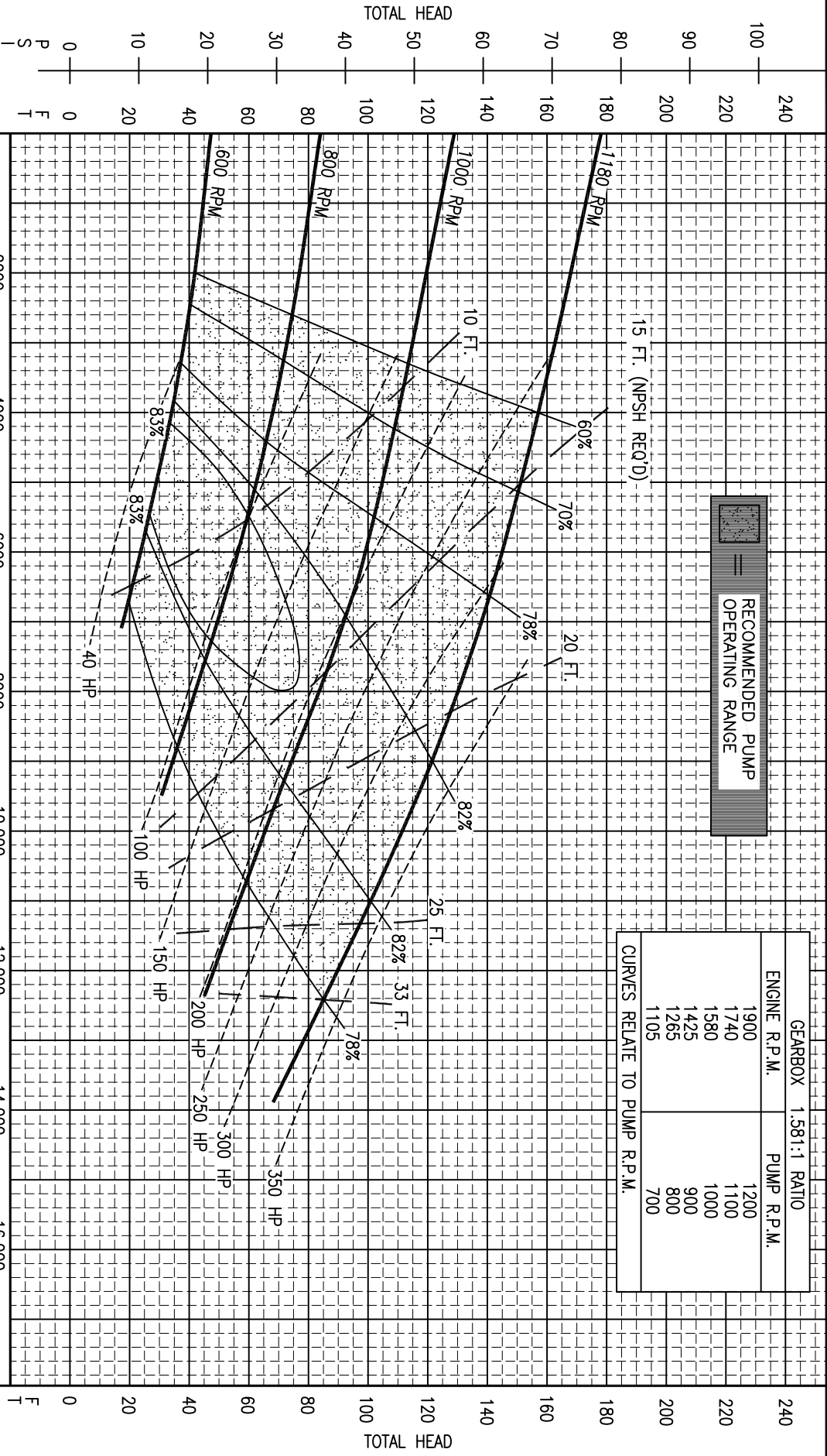
IMPELLER & WEAR RINGS BRASS

ALL INFORMATION CONTAINED IN OR DISCLOSED BY THIS DOCUMENT IS CONSIDERED CONFIDENTIAL AND PROPRIETARY BY RAIN FOR RENT. ALL DISCLOSURES OF DESIGN INFORMATION AND REPRODUCTION OF THIS DOCUMENT AND ALL SALES RIGHTS ARE EXCLUSIVELY RESERVED BY AND TO RAIN FOR RENT AND COMMUNICATION OF THIS INFORMATION TO OTHERS IS PROHIBITED WITHOUT THE PRIOR WRITTEN CONSENT OF RAIN FOR RENT

RECOMMENDED PUMP OPERATING RANGE

GEARBOX	1.581:1 RATIO
ENGINE R.P.M.	PUMP R.P.M.
1900	1200
1740	1100
1580	1000
1425	900
1265	800
1105	700

CURVES RELATE TO PUMP R.P.M.



FLOW - CLEAR WATER PERFORMANCE (US GPM)

CONFIDENTIAL

-PUMP PERFORMANCE CURVES DO NOT INCLUDE CHECK VALVE LOSSES
-POWER CURVES DO NOT INCLUDE PRIMING SYSTEM POWER CONSUMPTION