

High Head Pump

HH200i

Overview:

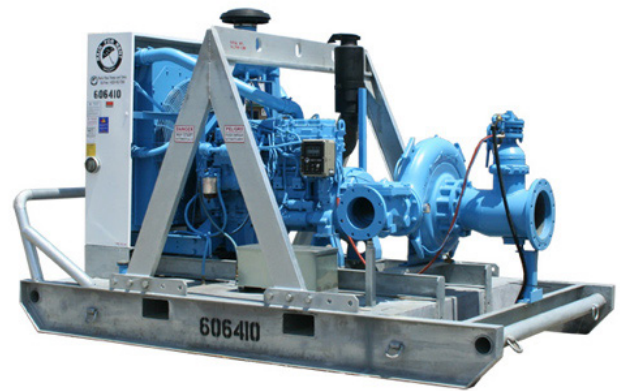
The 8" suction x 8" discharge self-priming centrifugal HH200i high head pump provides up to a maximum of 4,100 gallons per minute pumping and up to 370 feet of head. This pump is usually mounted on a skid and features the standard PowerPrime Clean Prime Venturi priming system which allows it to run continuously, unattended and even run dry.

Features:

- Suction lift to 28 feet
- Continuous self-priming
- Runs dry unattended
- 12-volt auto start electric control panel
- Pedestal-mounted
- Flex coupled to diesel engine
- 16-hour capacity fuel tank
- Compressor fitted to operate air-injector priming system
- Ductile iron volute with stainless steel open impellers
- Replaceable wear plates

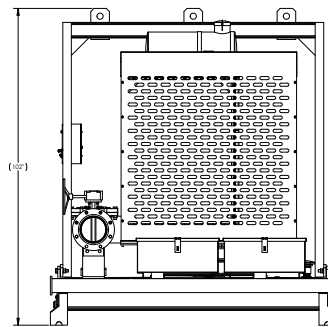
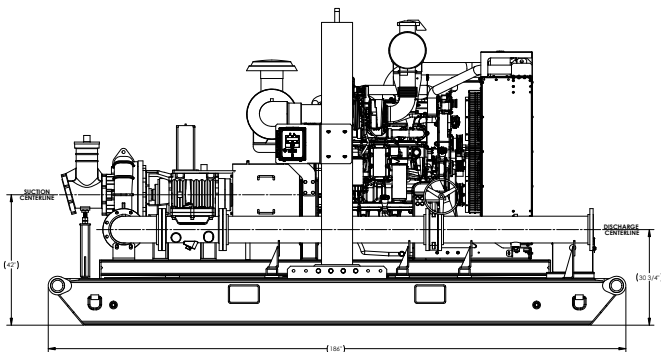
Specs:

Maximum Flow	4,100 GPM
Maximum Head	370 feet
Pump Size	8" x 8"
Maximum Solids Handling	2.125 inches
Dry weight	12,600 lbs.
Footprint: Trailer mounted model	186" x 92"
Fuel tank	370 gallon
Fuel consumption	18.6 gph @ 2,000 RPM



Accessories:

- Spillguard
- Suction and Discharge Hoses
- Fuel Nurse Tank
- VFD for electric driven models



PUMPS • TANKS • FILTRATION • PIPE • SPILLGUARDS

Rain for Rent is a registered trademark of Western Oilfields Supply Company. Features and specifications are subject to change without notice.

Liquid Ingenuity.
800-742-7246
rainforrent.com



Rain For Rent

CURVE: 01-0133-02-18

PUMP : HH-200i

SUCTION 8"

DISCHARGE 8"

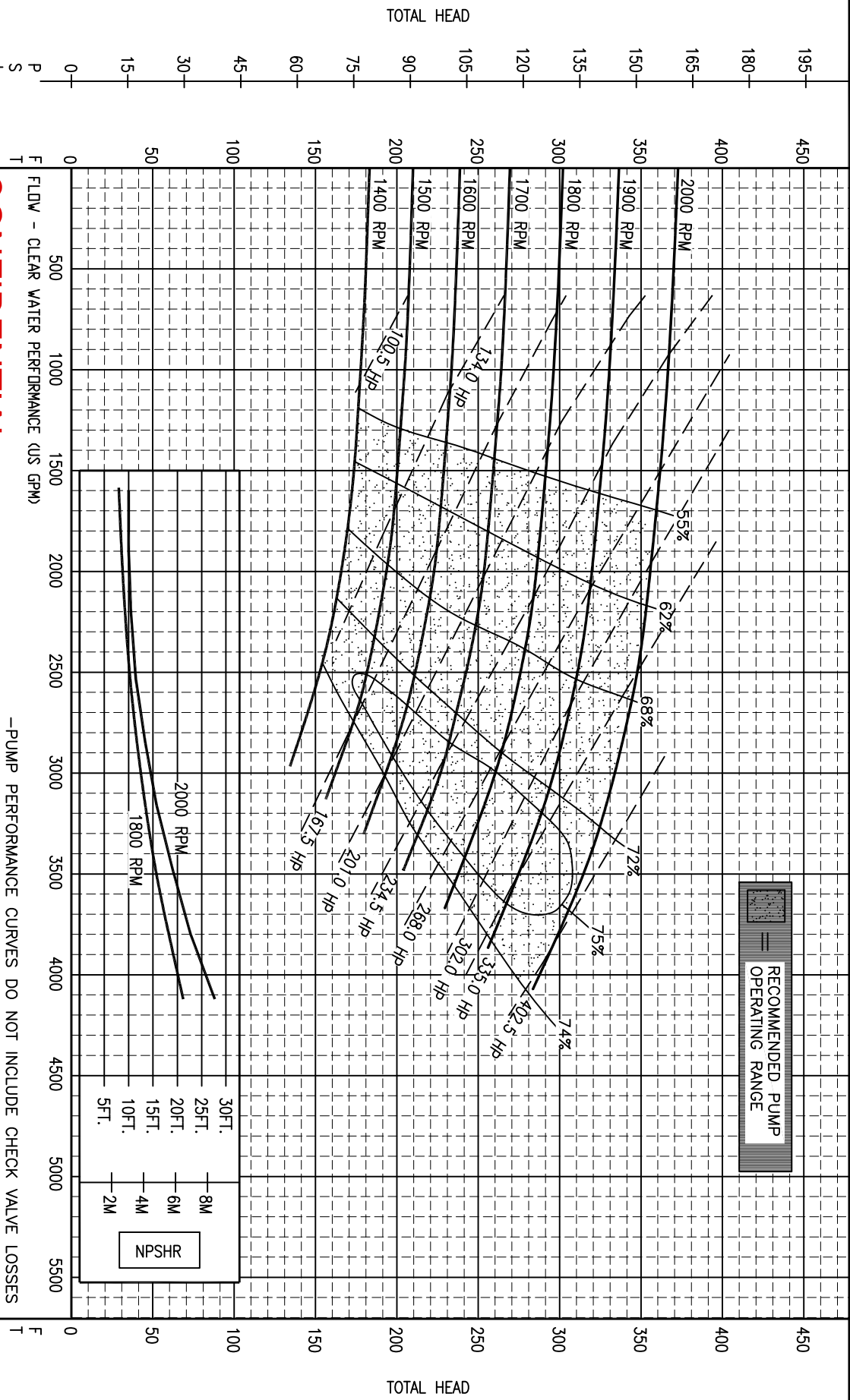
MAX. SPHERE 2.2"

IMPELLER OPEN

IMPELLER 17"

IMPELLER & WEAR PLATES 316 S/S

ALL INFORMATION CONTAINED IN OR DISCLOSED BY THIS DOCUMENT IS CONSIDERED CONFIDENTIAL AND PROPRIETARY BY RAIN FOR RENT. ALL DISCLOSURES OF DESIGN INFORMATION AND REPRODUCTION OF THIS DOCUMENT AND ALL SALES RIGHTS ARE EXCLUSIVELY RESERVED BY AND TO RAIN FOR RENT AND COMMUNICATION OF THIS INFORMATION TO OTHERS IS PROHIBITED WITHOUT THE PRIOR WRITTEN CONSENT OF RAIN FOR RENT



CONFIDENTIAL

-PUMP PERFORMANCE CURVES DO NOT INCLUDE CHECK VALVE LOSSES
-POWER CURVES INCLUDES AIR COMPRESSOR POWER CONSUMPTION