

# Electric High Head Pump

## HH80E

### Overview:

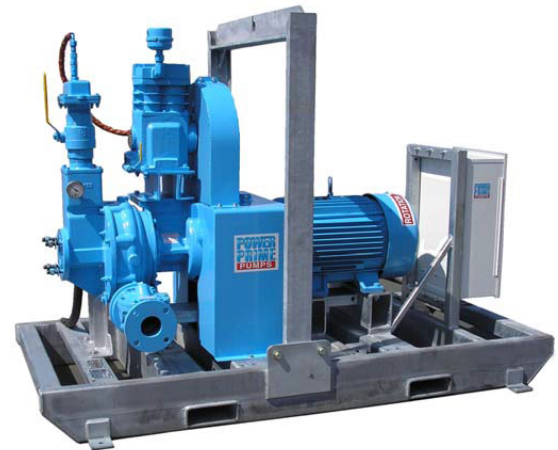
The 3" suction x 3" discharge self-priming centrifugal HH80E electric high head pump provides up to a maximum of 380 gallons per minute pumping and up to 180 feet of head. This pump is usually mounted on a skid and features the standard PowerPrime Clean Prime Venturi priming system which allows it to run continuously, unattended and even run dry.

### Features:

- Continuous self-priming
- Runs dry unattended
- Compressor fitted to operate the air-ejector priming system
- 3 vane, 12.8", 316 stainless steel impeller
- Suction lift up to 28ft.
- Hot Dip Galvanized Open Skids with fork lift tubes
- Four corner bolt down angles
- Stainless steel and CD4MCu pump end options
- 40hp 60Hz TEFC hostile duty dual voltage (230/460V) motor
- Fitted 480 volt control panels are equipped with motor protection
- Panels are equipped with terminal blocks for remote float switches

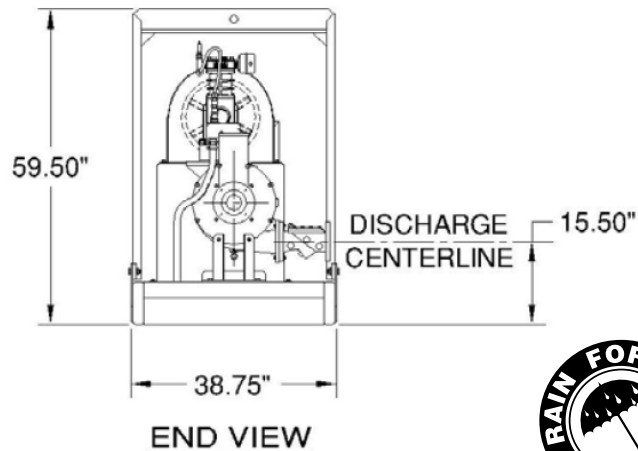
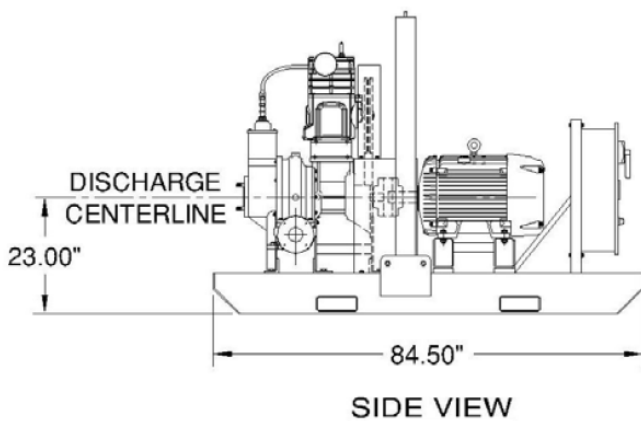
### Specs:

Maximum Flow	380 GPM
Maximum Head	180 feet
Pump Size	3" x 3"
Maximum Solids Handling	1 inch
Operating Speed	1,760 rpm
Dry weight	
Footprint	84.50" x 38.75"



### Accessories:

- Spillguard
- Variable Frequency Drive



PUMPS • TANKS • FILTRATION • PIPE • SPILLGUARDS

Rain for Rent is a registered trademark of Western Oilfields Supply Company. Features and specifications are subject to change without notice.

**Liquid Ingenuity.**  
800-742-7246  
rainforrent.com



# Rain For Rent

CURVE: 01-0133-02-52

PUMP : HH-80e

IMPELLER 12.8"  
IMPELLER & WEAR RINGS 316 S/S

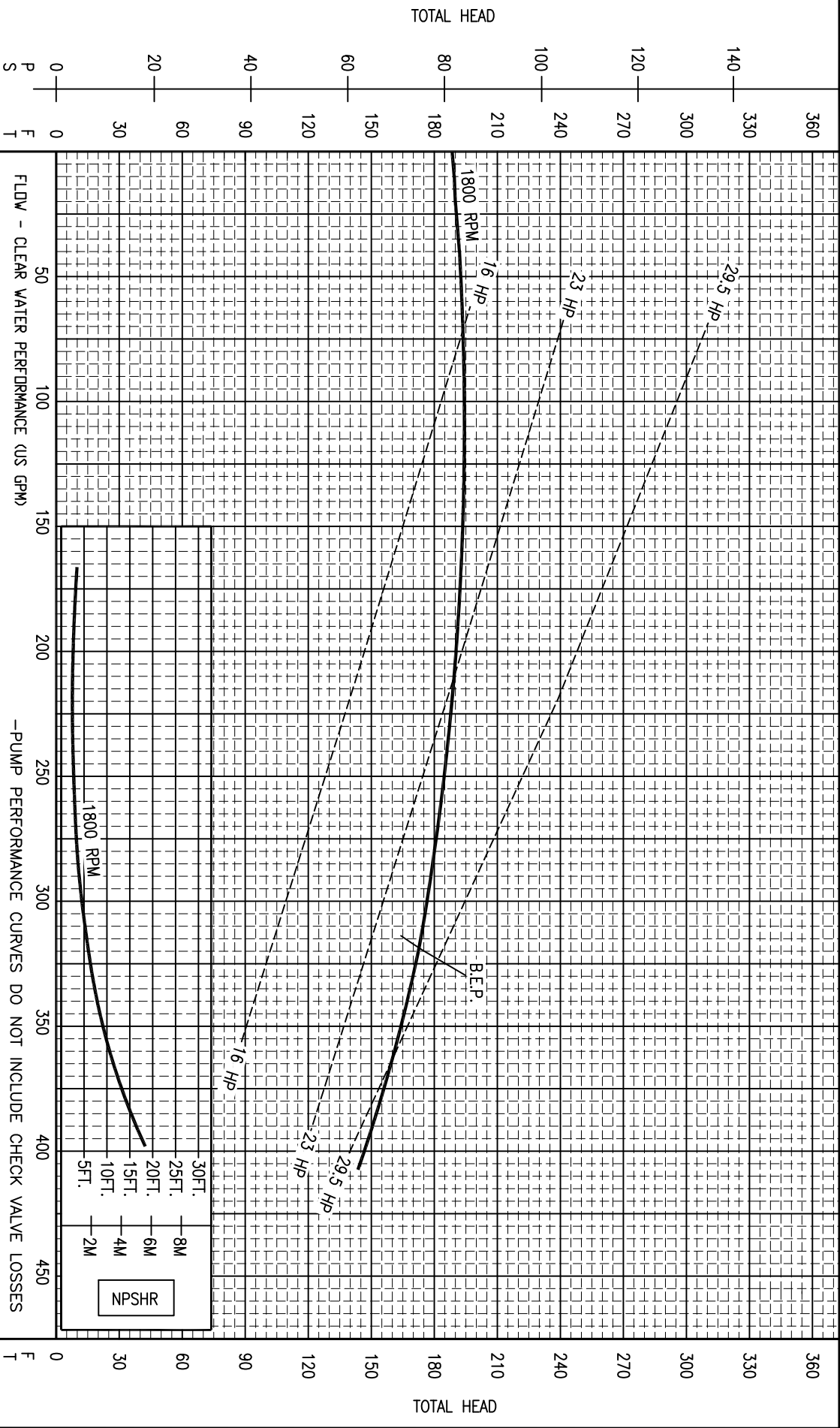
ALL INFORMATION CONTAINED IN OR DISCLOSED BY THIS DOCUMENT IS CONSIDERED CONFIDENTIAL AND PROPRIETARY BY RAIN FOR RENT. ALL DISCLOSURES OF DESIGN INFORMATION AND REPRODUCTION OF THIS DOCUMENT AND ALL SALES RIGHTS ARE EXCLUSIVELY RESERVED BY AND TO RAIN FOR RENT AND COMMUNICATION OF THIS INFORMATION TO OTHERS IS PROHIBITED WITHOUT THE PRIOR WRITTEN CONSENT OF RAIN FOR RENT

SUCTION 3"

DISCHARGE 3"

MAX. SPHERE 1"

IMPELLER 3 VANE



FLOW - CLEAR WATER PERFORMANCE (US GPM)

-PUMP PERFORMANCE CURVES DO NOT INCLUDE CHECK VALVE LOSSES  
-POWER CURVES INCLUDES AIR COMPRESSOR POWER CONSUMPTION

30FT.	8M
25FT.	6M
20FT.	4M
15FT.	2M
10FT.	
5FT.	

NPSHR

**CONFIDENTIAL**