

# Particulate Filter

PF50

## Overview:

The PF50 particulate filter features one cartridge filter tank and one bag filter tank. It utilizes five open-ended cartridges and 7" x 30" bag filters for superior filtration from 100 to 0.5 microns for flows up to 50 GPM.

## Features:

- One cartridge filter tank holds five open-ended cartridges
- One bag filter tank for 7" x 30" bag filter
- Utilizes 2.5" x 40" open ended cartridges from 100 to 0.5 microns
- Chambers constructed of 304 Stainless Steel
- Piping constructed of 304 Stainless Steel
- No moving parts
- Bag filter Chamber and cartridge filter chamber connect in series
- Units fitted with bleed valves and pressure gauges
- Initial pressure drop is less than 5 psi at 50 GPM
- System can stand alone for sediment removal or be used in combination with media vessels

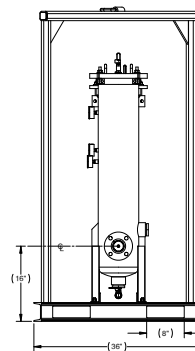
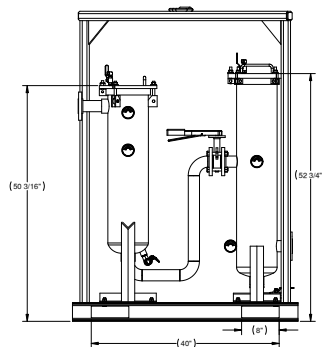
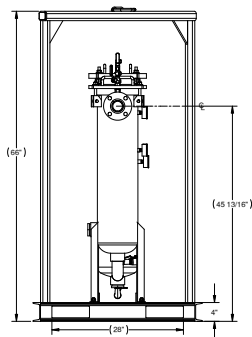
## Specs:

Max Flow	50 GPM
Material	Stainless Steel
Max PSI	125 PSI
Dry weight	500 lbs.
Footprint:	48" x 36"
Inlet x outlet	2" x 2" Flange



## Accessories:

- Spillguard
- Suction and Discharge Hoses



PUMPS • TANKS • FILTRATION • PIPE • SPILLGUARDS

Rain for Rent is a registered trademark of Western Oilfields Supply Company. Features and specifications are subject to change without notice.

**Liquid Ingenuity**  
800-742-7246  
rainforrent.com