

Steel Tank

Bi-Level

Overview:

Store liquids in confidence with Rain for Rent's 21,000 gallon Steel Bi-level Tank. This mobile tank allows your jobsite to have flexibility in planning your project layout. The Bi-level Tank provides OSHA safe stairways and walkways to make sure your employees are safe when checking water levels or working on the tank. The Bi-level Tank incorporates a center v-sloped floor to drain the contents of the tank to its lowest level. Rain for Rent also offers internally epoxy coated Bi-level Tanks to keep your fluids clean for sensitive environmental applications and provide chemical resistance.

Features:

- Vapor Tight Tanks: rated to 16oz/in² of pressure and 0.4oz/in² of vacuum
- V-drain floor with front and rear 4" 150-lb flanges with lever operated butterfly valves
- OSHA Compliant Stairway
- 1.5" Steel SCH80 level gauge port
- 8" External manifold
- Front 3" Steel SCH40 fill line
- Rear top of tank has a 3" 150-lb flanged port
- Front of tank has (1) 4" 150-lb flanges and (1) 4" Steel SCH40 threaded connection
- Hatch gaskets and valve seats are Buna-N material
- Optional: Internal epoxy coating
- Optional: Steam Coils

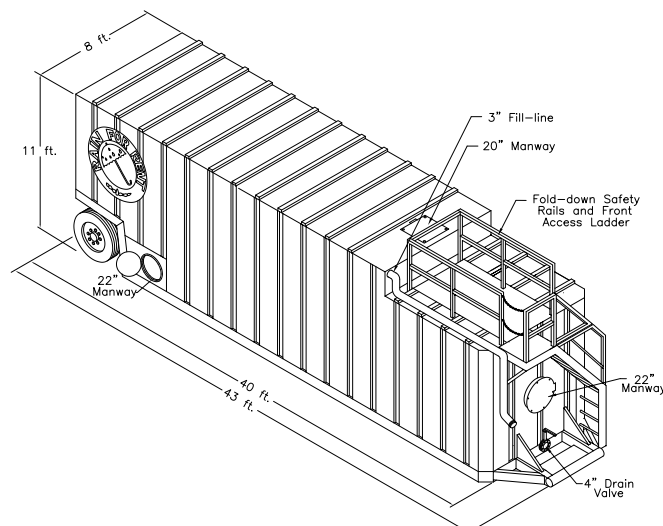
Specs:

Material	1/4" A36 Steel, Epoxy Coated (Option)
Capacity	21,000-gallons
Manways	Four (4) 22" hatches
Dry weight	26,000-lbs
Footprint (LxWxH)	516" x 96" x 132"



Accessories:

- Radar Level Gauges
- Mechanical Level Gauge
- E-CONTAIN® Spillguard
- SolidGroud® Traction Mats
- PipeStax®
- HoseTrax®
- Suction and Discharge Hose



PUMPS • TANKS • FILTRATION • PIPE • SPILLGUARDS

Rain for Rent is a registered trademark of Western Oilfields Supply Company. Features and specifications are subject to change without notice.



Liquid Ingenuity.
800-742-7246
rainforrent.com