

Steel Tank

Round Bottom Mixer Tank

Overview:

18,100 gallon mixer tanks from Rain for Rent feature 3 or 4-hp motors with individual breakers and starters with a single electrical connection for operator convenience. The Round Bottom Mixer Tanks from Rain for Rent have a standard "V" shaped floor for ease of draining all stored liquids completely through a 4" butterfly valve with Buna seals standard. The round bottom design helps keep product

Features:

- 5 or 10 hp mixers
- Individual control for each mixer,
- Single electrical junction box
- Safety stairway and complete guard rail system
- Totally enclosed and vapor tight, "V" shaped floor
- 4" valves at each end for quick cleaning

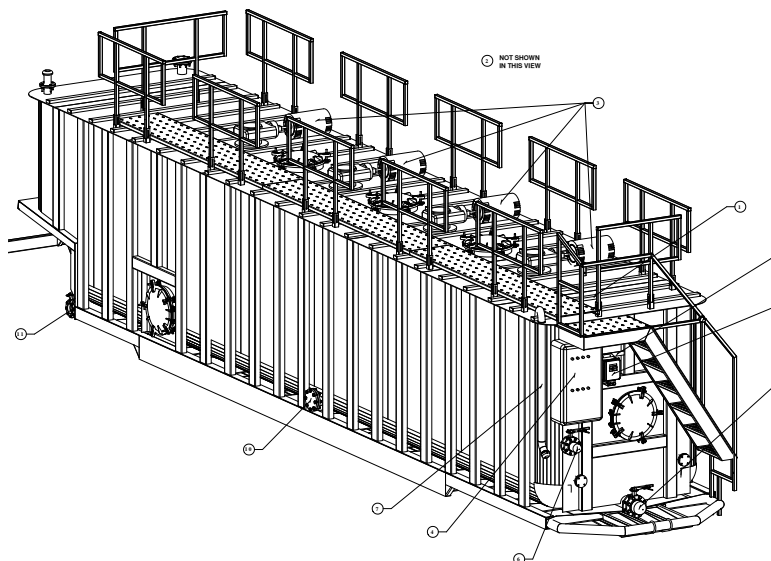


Specs:

Manways	Four 22" hatches
Material	Steel
Capacity	18,100 gallons
Dry weight	33,000 lbs.
Footprint:	516" x 96" x 141"

Accessories:

- Spillguard
- Suction and Discharge Hoses
- Steam coils
- Level gauges



PUMPS • TANKS • FILTRATION • PIPE • SPILLGUARDS

Rain for Rent is a registered trademark of Western Oilfields Supply Company. Features and specifications are subject to change without notice.

Liquid Ingenuity[®]
800-742-7246
rainforrent.com