

Extra High Head Pump

XH150

Overview:

The 8" suction x 6" discharge self-priming centrifugal XH150 extreme high head pump provides up to a maximum of 2,350 gallons per minute pumping and up to 605 feet of head. This pump is usually mounted on a skid and features the standard PowerPrime Clean Prime Venturi priming system which allows it to run continuously, unattended and even run dry.

Features:

- Continuous self-priming
- Runs dry unattended
- Suction life to 28 ft.
- Stainless steel, CD4MCu pump options
- Pedestal mounted
- Flex coupled to diesel engine
- 13-hour run time max with fuel tank
- 12 volt electric start control panel
- Compressor venturi automatic priming system
- Ductile iron volute with stainless steel impeller
- Replaceable wear plates

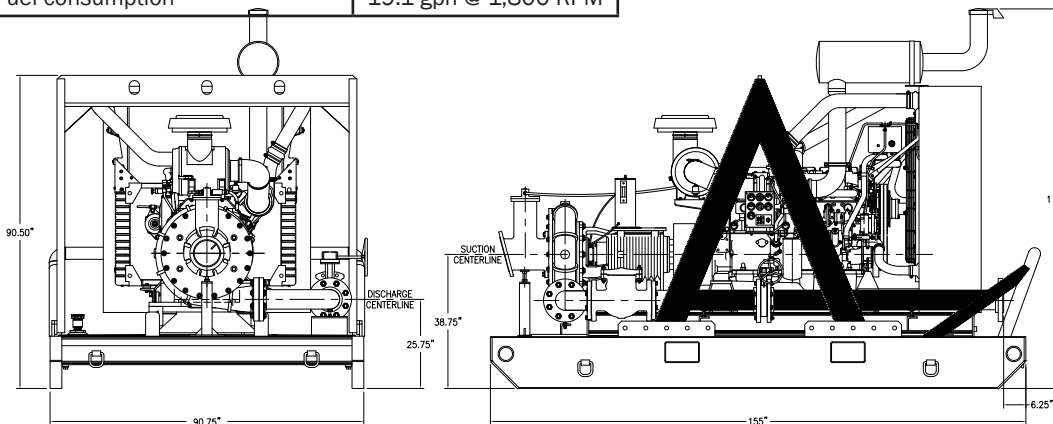
Specs:

| | |
|----------------------------------|----------------------|
| Maximum Flow | 2,350 GPM |
| Maximum Head | 605 feet |
| Pump Size | 8" x 6" |
| Maximum Solids Handling | 1.69 inches |
| Dry weight | 10,800 lbs. |
| Footprint: Trailer mounted model | 155" x 91" |
| Fuel tank | 260 gallon |
| Fuel consumption | 19.1 gph @ 1,800 RPM |



Accessories:

- Spillguard
- Suction and Discharge Hoses
- Fuel Nurse Tank



PUMPS • TANKS • FILTRATION • PIPE • SPILLGUARDS

Rain for Rent is a registered trademark of Western Oilfields Supply Company. Features and specifications are subject to change without notice.

Liquid Ingenuity®
800-742-7246
rainforrent.com



Rain For Rent

CURVE: 01-0133-02-22

PUMP : XH-150

SUCTION
8"

DISCHARGE
6"

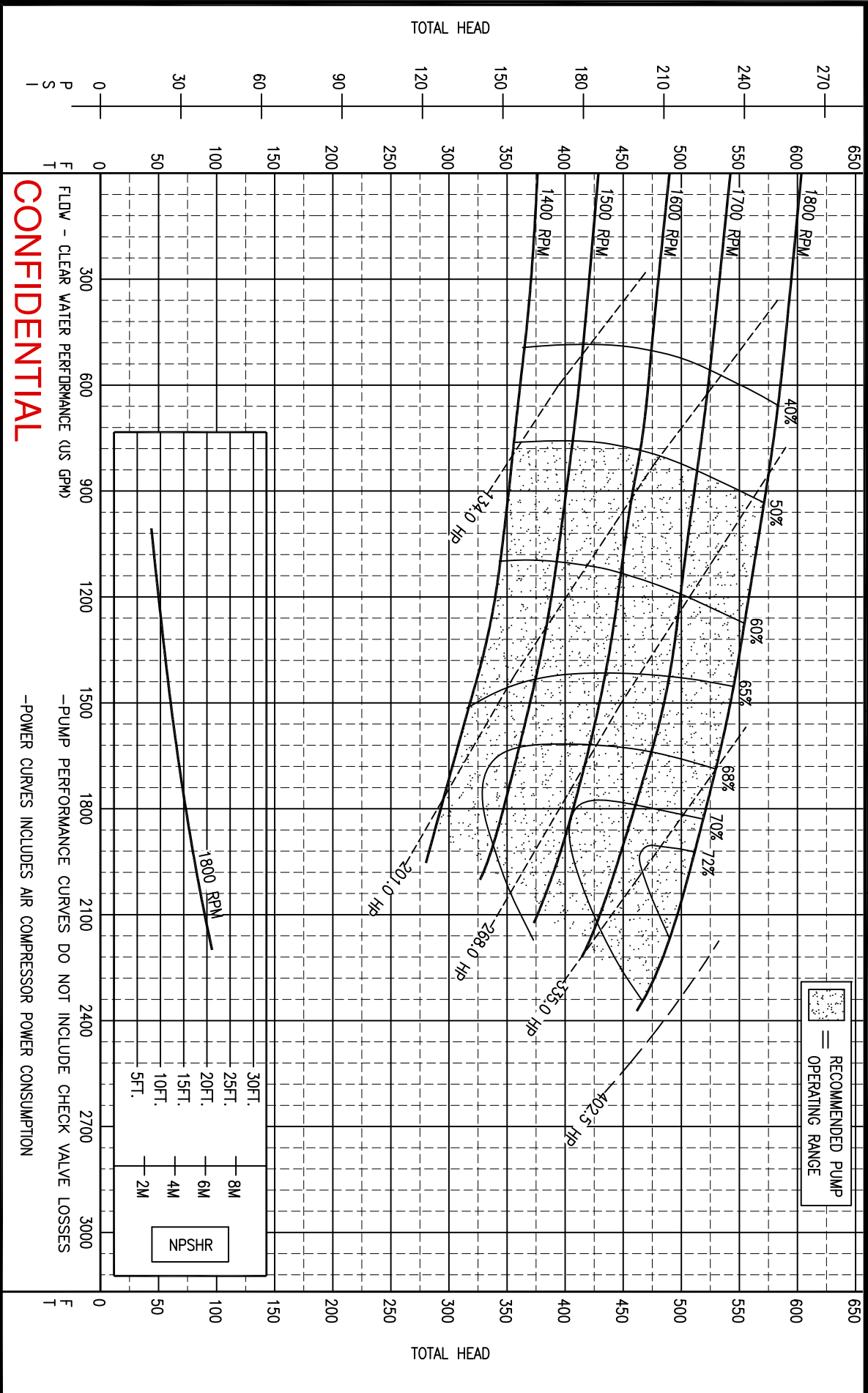
MAX. SPHERE
1.69"

IMPELLER
CLOSED

IMPELLER
22.05"

IMPELLER &
WEAR RINGS
316 S/S

ALL INFORMATION CONTAINED IN OR DISCLOSED BY THIS DOCUMENT IS CONSIDERED CONFIDENTIAL AND PROPRIETARY BY RAIN FOR RENT. ALL DISCLOSURES OF DESIGN INFORMATION AND REPRODUCTION OF THIS DOCUMENT AND ALL SALES RIGHTS ARE EXCLUSIVELY RESERVED BY AND TO RAIN FOR RENT AND COMMUNICATION OF THIS INFORMATION TO OTHERS IS PROHIBITED WITHOUT THE PRIOR WRITTEN CONSENT OF RAIN FOR RENT



CONFIDENTIAL

FLDOW - CLEAR WATER PERFORMANCE (US GPM)
-PUMP PERFORMANCE CURVES DO NOT INCLUDE CHECK VALVE LOSSES
-POWER CURVES INCLUDES AIR COMPRESSOR POWER CONSUMPTION