

Extra High Head Pump

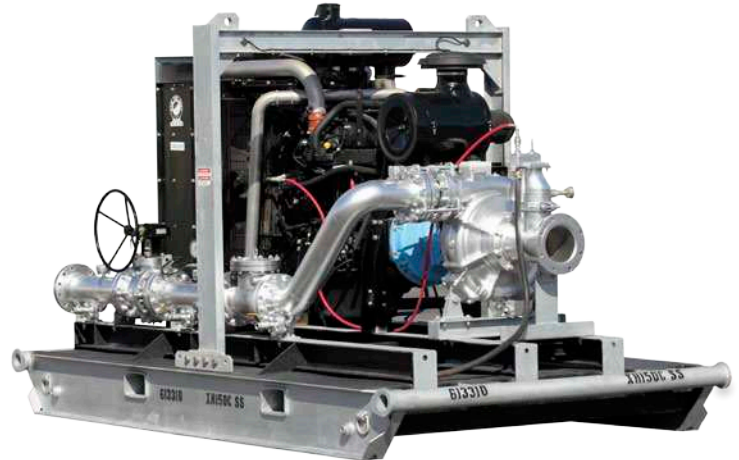
XH150c

Overview:

The XH150c is a high head, high flow pump offering flow rates up to 3,250 GPM and 625 feet of head. The skid mounted unit comes standard with a stainless steel wet end where pump impeller and volute are built of a high grade stainless steel alloy CD4MCu, allowing for safe management of corrosive and abrasive liquids and solids up to 2" in diameter. The PowerPrime® venturi automatic self-priming system allows the pump to run continuously and run dry unattended. The XH150c is ideal for pumping over high elevations, across long distances, and in more abrasive applications.

Features:

- PowerPrime venturi automatic self-priming system allows the pump to run continuously and run dry unattended.
- CD4MCu standard pump volute and impeller for pumping corrosive liquids and solids up to 2". Ductile iron pump also available.
- 539-gallon fuel tank provides 20 hours of run time at max pump operation.
- Durable, long-lasting mechanical seal technology and the pump is easy to maintain.
- 12-volt electric auto-start control panel.
- Suction Lift up to 28-feet.

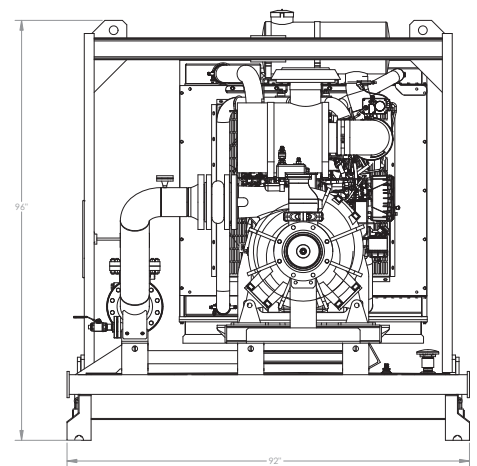
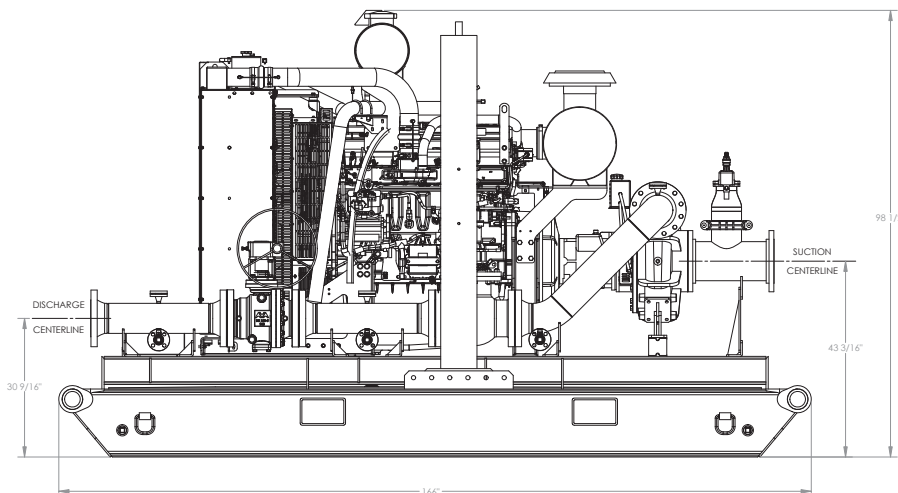


Specs:

Maximum Flow	3,250 GPM
Maximum Head	625 feet
Pump Size	8" x 6"
Maximum Solids Handling	2 inches
Dry Weight	10,800 lbs.
Footprint: Skid Mounted Model	166" x 92"
Fuel Tank	539 gallon
Fuel Consumption	21.8 gph @ 2,100 RPM

Accessories:

- E-Contain® Spillguard
- PipeStax® Modular Pipe Support Blocks
- Suction and Discharge Hoses
- Fuel Nurse Tank



Liquid Ingenuity

800-742-7246
rainforrent.com

PUMPS • TANKS • FILTRATION • PIPE • SPILLGUARDS

Rain for Rent is a registered trademark of Western Oilfields Supply Company. Features and specifications are subject to change without notice.



Rain for Rent

CURVE: 01-0133-02-89
PUMP: XH-150C

SUCTION 8"

DISCHARGE 6"

MAX. SPHERE 2"

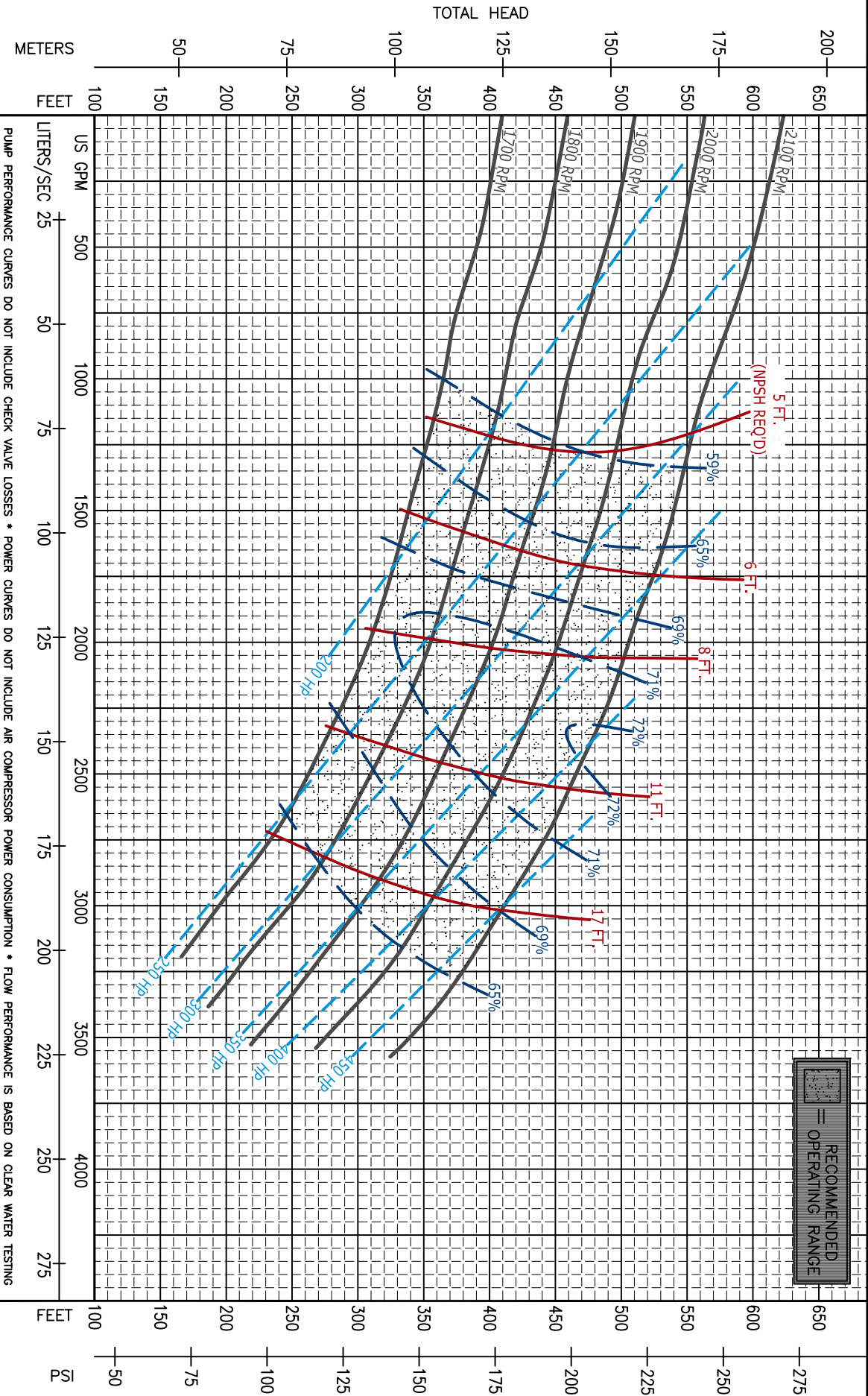
IMPELLER 2 VANES

IMPELLER 19.5"

STANDARD CD4MCu

OPTIONAL DUCTILE IRON

ALL INFORMATION CONTAINED IN OR DISCLOSED BY THIS DOCUMENT IS CONSIDERED CONFIDENTIAL AND PROPRIETARY BY RAIN FOR RENT. ALL DISCLOSURES OF DESIGN INFORMATION AND REPRODUCTION OF THIS DOCUMENT AND ALL SALES RIGHTS ARE EXCLUSIVELY RESERVED BY AND TO RAIN FOR RENT AND COMMUNICATION OF THIS INFORMATION TO OTHERS IS PROHIBITED WITHOUT THE PRIOR WRITTEN CONSENT OF RAIN FOR RENT.



PUMP PERFORMANCE CURVES DO NOT INCLUDE CHECK VALVE LOSSES * POWER CURVES DO NOT INCLUDE AIR COMPRESSOR POWER CONSUMPTION * FLOW PERFORMANCE IS BASED ON CLEAR WATER TESTING