

# High Head Pump

XH80c

## Overview:

The XH80c is a high head, high flow pump offering flowrates up to 800 GPM and 770 feet of head. The trailer mounted unit comes standard with a heavy duty ductile iron construction and corrosion/abrasion resistant CA6NM impeller. The pump is designed with a heavy wall construction specifically to handle high head applications while providing a long service life. The fully enclosed 4-vane impeller is designed to offer industry leading efficiencies while still providing 0.75" solids handling. The PowerPrime Venturi automatic self-priming system allows the pump to run continuously and run-dry unattended. The XH80c is ideal for pumping over high elevations, across long distances, hydrotesting pipelines, tank bottom cleanings, and mining dewatering applications.

## Features:

- PowerPrime Venturi automatic self-priming system allows the pump to run continuously and run dry unattended.
- Standard Ductile Iron pump volute and CA6NM impeller for pumping corrosive liquid and solids up to 0.75".
- 130-gallon fuel tank provides 10 hours of run time at max pump operation.
- Durable, long-lasting mechanical seal technology and easy to maintain.
- 12-volt electric auto-start control panel.
- Suction lift up to 28-feet.

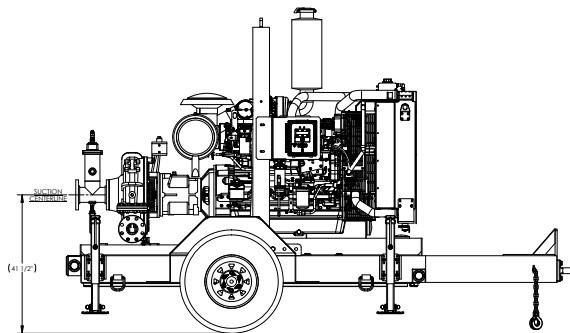
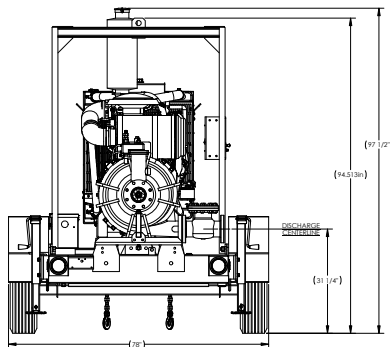
## Specs:

Pump Size	4"x3"
Maximum Head	770-ft
Maximum Solids Handling	0.75"
Dry Weight	6,020-lbs
Trailer Mounted Footprint (L x W)	154" x 78"
Fuel Tank	130-gallons
Fuel Consumption	12.4-gph @ 2,300 RPM
Fuel consumption	11.1 gph @ 1,800 RPM



## Accessories:

- E-Contain® Spillguard
- SolidGround® Traction Mats
- PipeStax®
- RampLox®
- Suction and Discharge Hoses
- Fuel Nurse Tank



PUMPS • TANKS • FILTRATION • PIPE • SPILLGUARDS

Rain for Rent is a registered trademark of Western Oilfields Supply Company. Features and specifications are subject to change without notice.

**Liquid Ingenuity®**  
800-742-7246  
rainforrent.com



# Rain for Rent

CURVE: 01-0133-02-90

PUMP : **XH-80C**

SUCTION 4"

DISCHARGE 3"

MAX. SPHERE .75"

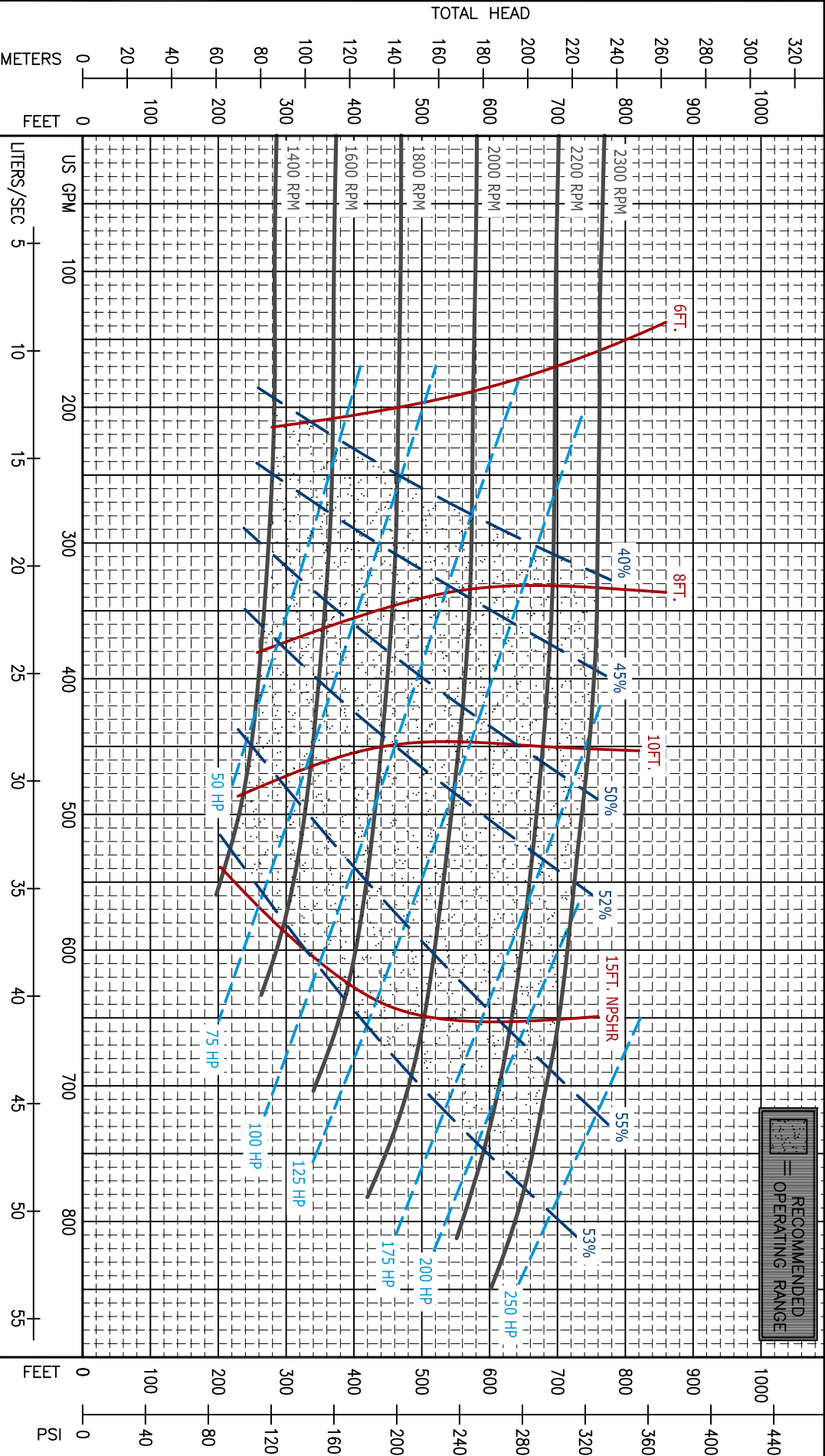
IMPELLER 4 VANES

IMPELLER 19.59"

STANDARD DUCTILE IRON

OPTIONAL N/A

ALL INFORMATION CONTAINED IN OR DISCLOSED BY THIS DOCUMENT IS CONSIDERED CONFIDENTIAL AND PROPRIETARY BY RAIN FOR RENT. ALL DISCLOSURES OF DESIGN INFORMATION AND REPRODUCTION OF THIS DOCUMENT AND ALL SALES RIGHTS ARE EXCLUSIVELY RESERVED BY AND TO RAIN FOR RENT AND COMMUNICATION OF THIS INFORMATION TO OTHERS IS PROHIBITED WITHOUT THE PRIOR WRITTEN CONSENT OF RAIN FOR RENT



PUMP PERFORMANCE CURVES DO NOT INCLUDE CHECK VALVE LOSSES \* POWER CURVES DO NOT INCLUDE AIR COMPRESSOR POWER CONSUMPTION \* FLOW PERFORMANCE IS BASED ON CLEAR WATER TESTING