

Electric High Head Pump

HH80CE

Overview:

The 4" suction x 3" discharge self-priming centrifugal HH80CE electric high head pump provides up to a maximum of 480 gallons per minute pumping and up to 240' of head. This pump is usually mounted on a skid and features the standard PowerPrime Clean Prime Venturi priming system which allows it to run continuously, unattended, and even run dry.

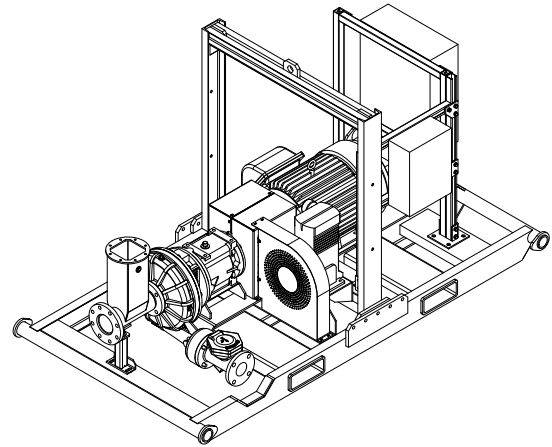
Features:

- Continuous self-priming
- Runs dry, unattended
- Compressor fitted to operate the air-ejector priming system
- 7 vane, 14" brass impeller
- Suction lift up to 28'
- Hot Dip Galvanized Open Skids with fork lift tubes
- Four corner bolt down angles
- Stainless steel and CD4MCu pump end options
- 40HP TEFC hostile duty dual voltage (230/460v) motor
- Fitted with 480v across the line, full voltage control panels for motor protection
- Panels are equipped with terminal blocks for remote float switches

Specs:

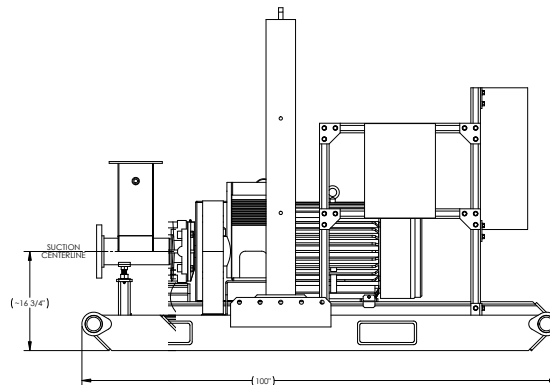
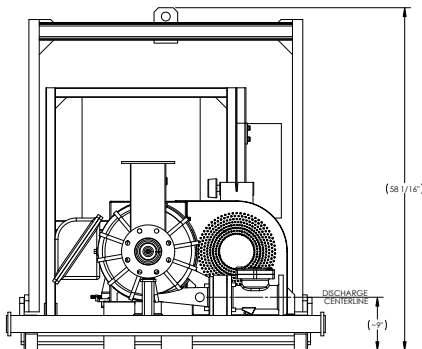
Maximum Flow	480 GPM
Maximum Head	240'
Pump Size	4" x 3"
Maximum Solids Handling	0.41"
Operating Speed	1775 rpm
Dry weight	
Footprint	100" x 54"

ISOMETRIC VIEW
NOT TO SCALE



Accessories:

- E-CONTAIN® Spillguard
- SolidGround® Traction Mats
- Variable Frequency Drive (VFD)
- PipeStax®



PUMPS • TANKS • FILTRATION • PIPE • SPILLGUARDS

Rain for Rent is a registered trademark of Western Oilfields Supply Company. Features and specifications are subject to change without notice.

Liquid Ingenuity[®]
800-742-7246
rainforrent.com

