

Electric Trash Pump

DV100CE

Overview:

The 6" suction x 4" discharge self-priming centrifugal DV100CE electric trash and sewage pump provides up to a maximum of 1,150 gallons per minute pumping and up to 104 feet of head. This pump is usually mounted on a skid and features the standard PowerPrime Clean Prime Venturi priming system which allows it to run continuously, unattended and even run dry.

Features:

- Continuous self-priming
- Runs dry unattended
- Compressor fitted to operate the air-ejector priming system
- 2 vane, cast iron, 9.5" impeller
- Suction lift up to 28ft.
- Hot Dip Galvanized Open Skids with fork lift tubes
- Four corner bolt down angles
- CD4MCu pump end
- TEFC hostile duty dual voltage (230/460V) motor
- Fitted 480 volt control panels are equipped with motor protection
- Panels are equipped with terminal blocks for remote float switches
- Available in Class 1 Division 1 (C1D1) Group C, D configurations

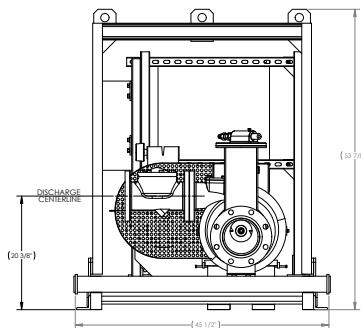
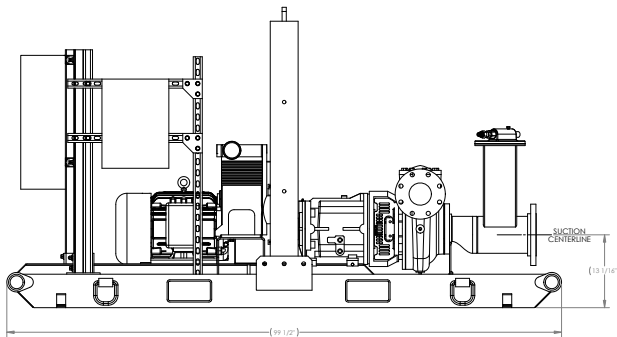
Specs:

Maximum Flow	1,150 GPM
Maximum Head	104 feet
Pump Size	6" x 4" 150# Flange
Maximum Solids Handling	3 inches
Dry weight	1,820 lb
Footprint	99.5" x 45.5"



Accessories:

- Spillguard
- Variable Frequency Drive



PUMPS • TANKS • FILTRATION • PIPE • SPILLGUARDS

Rain for Rent is a registered trademark of Western Oilfields Supply Company. Features and specifications are subject to change without notice.

Liquid Ingenuity.
800-742-7246
rainforrent.com



Rain For Rent

CURVE: 01-0133-02-72

PUMP : DV-100ce

IMPELLER 9.5"
IMPELLER & WEAR RINGS CAST IRON

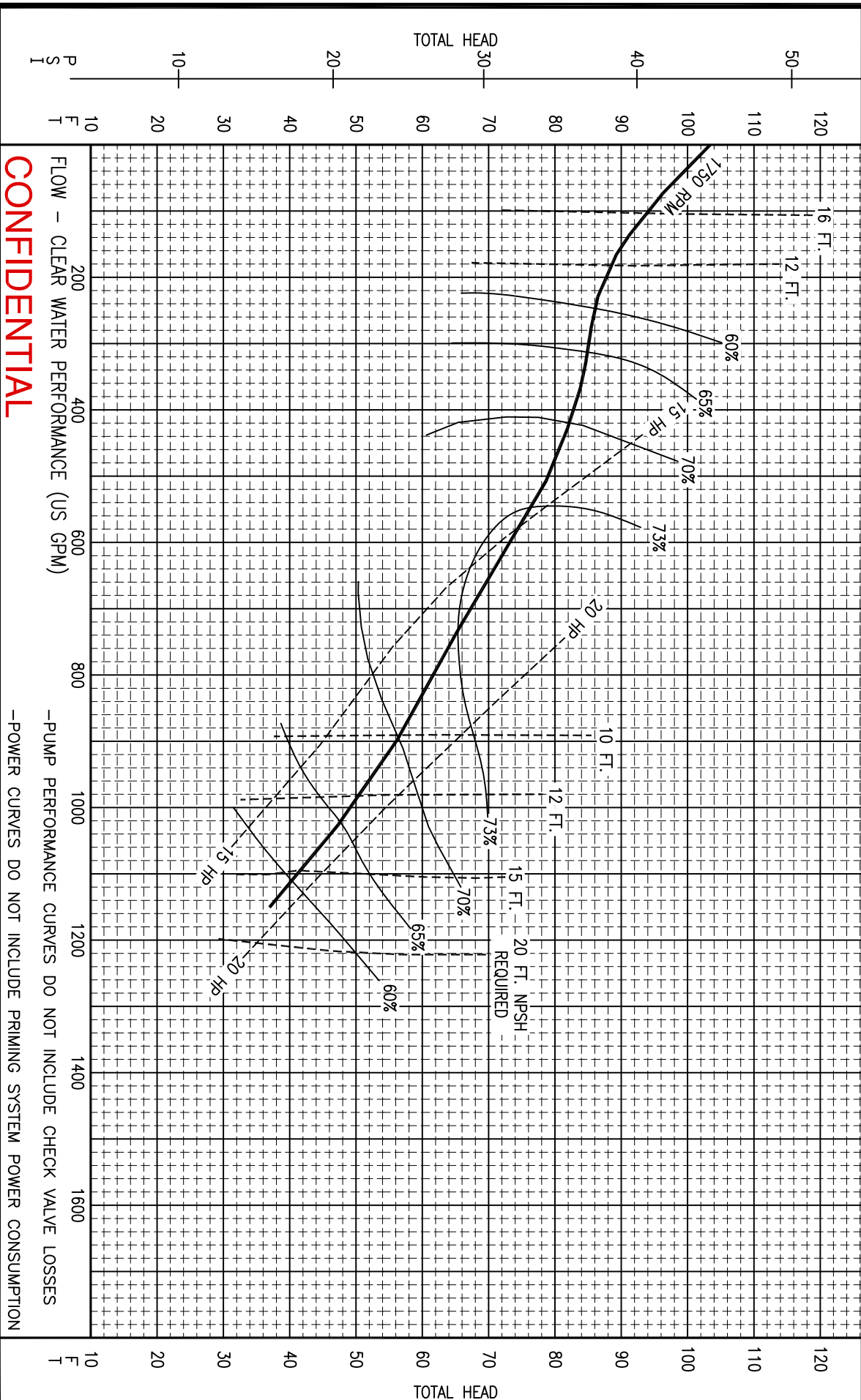
SUCTION 6"

DISCHARGE 4"

MAX. SPHERE 3" DIA.

IMPELLER 2 VANE

ALL INFORMATION CONTAINED IN OR DISCLOSED BY THIS DOCUMENT IS CONSIDERED CONFIDENTIAL AND PROPRIETARY BY RAIN FOR RENT. ALL DISCLOSURES OF DESIGN INFORMATION AND REPRODUCTION OF THIS DOCUMENT AND ALL SALES RIGHTS ARE EXCLUSIVELY RESERVED BY AND TO RAIN FOR RENT AND COMMUNICATION OF THIS INFORMATION TO OTHERS IS PROHIBITED WITHOUT THE PRIOR WRITTEN CONSENT OF RAIN FOR RENT



FLOW - CLEAR WATER PERFORMANCE (US GPM)

CONFIDENTIAL

-PUMP PERFORMANCE CURVES DO NOT INCLUDE CHECK VALVE LOSSES
-POWER CURVES DO NOT INCLUDE PRIMING SYSTEM POWER CONSUMPTION