

Dewatering and Sewage Pump

DV150B SD SA
811520

Overview:

The 6" suction x 6" discharge self-priming centrifugal DV150B SD SA trash pump provides up to a maximum of 2,157 gallons per minute pumping capacity and up to 160 feet of head. This trailer mounted pump is equipped with a sound attenuated enclosure package. This allows the unit to achieve continuous operation at low sound emission levels. The standard Clean Prime priming system prevents liquid carryover contaminating the outside environment. The pump is also equipped with a Run-Dry feature, which keeps the mechanical seal faces continuously lubricated, even when there is no liquid in the pump casing. The semi-open channel impeller design improves solids handling performance.

Features:

- Continuous self-priming
- Runs dry unattended
- 12 volt, electric start with auto-start capable control panel
- Flex coupled to diesel engine
- 21-hour runtime minimum capacity fuel tank
- Clean Prime 30CFM diaphragm pump priming system
- Cast iron wet end with corrosion resistant Chrome Moly semi-open channel impeller
- Replaceable and adjustable wear plates
- SAE Mounted
- Suction lift up to 28ft.

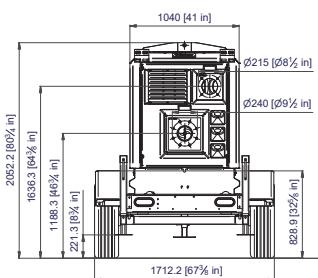
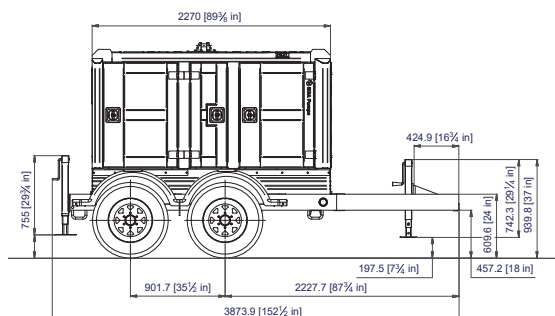


Specs:

Maximum Flow	2157 GPM
Maximum Head	160 feet
Pump Size	6" x 6"
Solids Handling	3.15"
Dry Weight (Wet)	4,961lbs (5664lbs)
Footprint (L x W x H)	159.625" x 67.375" x 80.75"
Fuel Tank	80 gallon
Fuel Consumption	Max. 3.7 gallon/hour
Sound Attenuation	64 dB(A) @ 33 ft

Accessories:

- E-Contain® Spillguards
- SolidGround® Traction Mats
- Suction and Discharge Hoses
- PipeStax®
- Instrumentation
- Fuel Nurse Tank



Liquid Ingenuity®
800-742-7246
rainforrent.com

PUMPS • TANKS • FILTRATION • PIPE • SPILLGUARDS

THE SPECIFICATIONS CONTAINED IN THIS SHEET ARE OPERATING GUIDELINES AND ARE INTENDED TO BE GENERAL REPRESENTATIONS OF EQUIPMENT CAPABILITIES. ACTUAL PERFORMANCE WILL VARY BASED UPON SYSTEM APPLICATION, AGE OF EQUIPMENT, MANUFACTURER, AND OPERATION

Pump Type: DV150B SD SA

Max Speed: Various
 Impeller Diam: 265-6 mm

Solids Handling (Free Passage): 3.15" (80 mm)
 Suction: 6" (DN150)
 Discharge: 6" (DN100)

