

# Electric High Head Pump

## HH325CE

### Overview:

The 12" suction x 10" discharge self-priming centrifugal HH325CE electric high head pump provides up to a maximum of 6,900 gallons per minute pumping and up to 375 feet of head. This pump is usually mounted on a skid and features the standard PowerPrime Clean Prime Venturi priming system which allows it to run continuously, unattended and even run dry.

### Features:

- Continuous self-priming
- Runs dry unattended
- Compressor fitted to operate the air-ejector priming system
- 2 vane, 19.25", ductile iron impeller
- Suction lift up to 28ft.
- Hot Dip Galvanized Open Skids with fork lift tubes
- Four corner bolt down angles
- Stainless steel and CD4MCu pump end options
- TEFC hostile duty dual voltage (230/460V) motor
- Fitted 480 volt control panels are equipped with motor protection
- Panels are equipped with terminal blocks for remote float switches

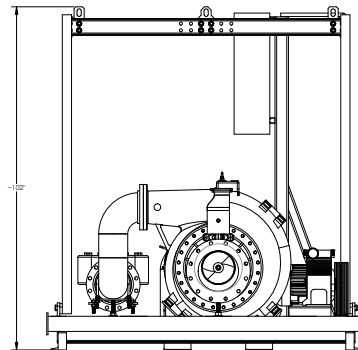
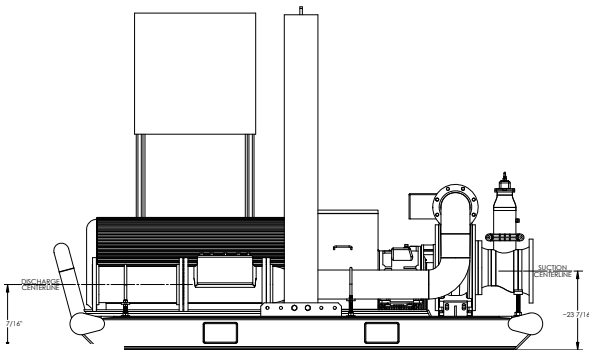
### Specs:

Maximum Flow	6,900GPM
Maximum Head	375 feet
Pump Size	12" x 10"
Maximum Solids Handling	4 inches
Operating Speed	1,770 rpm
Dry weight	
Footprint	



### Accessories:

- Spillguard
- Variable Frequency Drive



**PUMPS • TANKS • FILTRATION • PIPE • SPILLGUARDS**

THE SPECIFICATIONS CONTAINED IN THIS SHEET ARE OPERATING GUIDELINES AND ARE INTENDED TO BE GENERAL REPRESENTATIONS OF EQUIPMENT CAPABILITIES. ACTUAL PERFORMANCE WILL VARY BASED UPON SYSTEM APPLICATION, AGE OF EQUIPMENT, MANUFACTURER, AND OPERATION.

**Liquid Ingenuity®**  
800-742-7246  
rainforrent.com



# Rain For Rent

CURVE: 01-0133-02-10

PUMP : HH-325ce

SUCTION  
12"

DISCHARGE  
10"

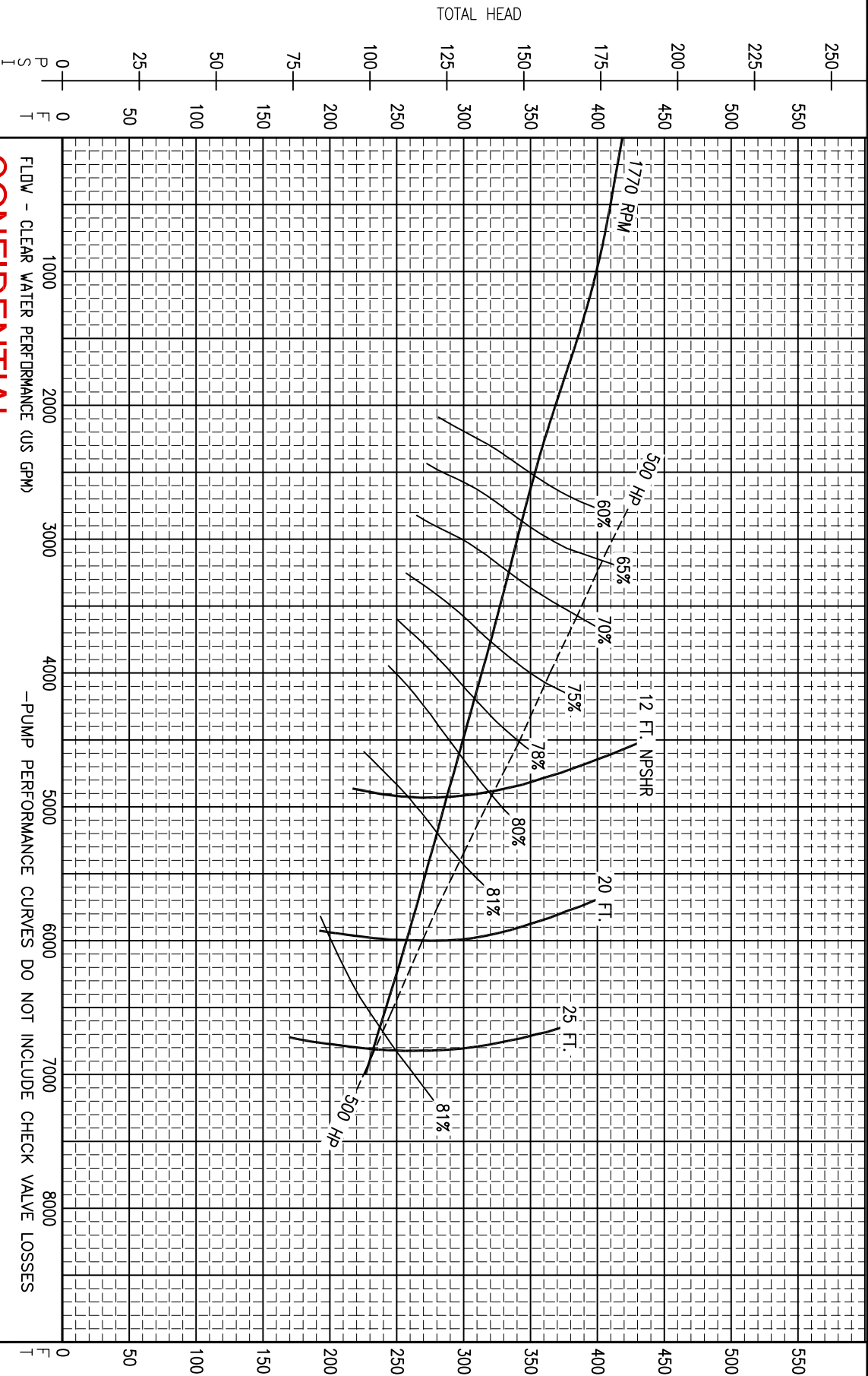
MAX. SPHERE  
4"

IMPELLER  
2 VANE

IMPELLER  
19.25"

IMPELLER &  
WEAR RINGS  
DUCTILE IRON

ALL INFORMATION CONTAINED IN OR DISCLOSED BY THIS DOCUMENT IS CONSIDERED CONFIDENTIAL AND PROPRIETARY BY RAIN FOR RENT. ALL DISCLOSURES OF DESIGN INFORMATION AND REPRODUCTION OF THIS DOCUMENT AND ALL SALES RIGHTS ARE EXCLUSIVELY RESERVED BY AND TO RAIN FOR RENT AND COMMUNICATION OF THIS INFORMATION TO OTHERS IS PROHIBITED WITHOUT THE PRIOR WRITTEN CONSENT OF RAIN FOR RENT



FLDW - CLEAR WATER PERFORMANCE (US GPM)

-PUMP PERFORMANCE CURVES DO NOT INCLUDE CHECK VALVE LOSSES  
-POWER CURVES DO NOT INCLUDE PRIMING SYSTEM POWER CONSUMPTION

**CONFIDENTIAL**