

Instrumentation

Tank Level Monitoring Gauge

Overview:

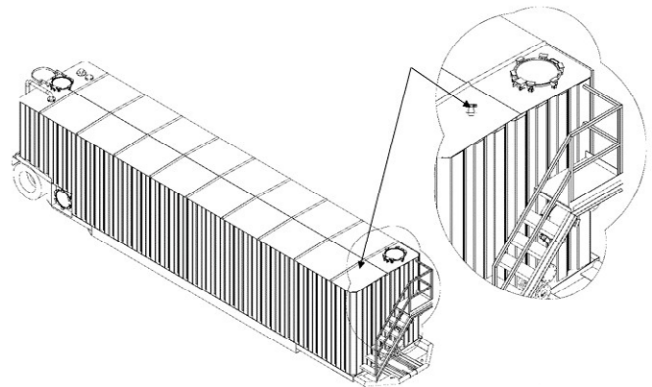
The Tank Level Monitoring Gauge is the ideal sensor for all stand-alone applications with liquids. It is particularly suitable for level measurement in Frac Tanks, Poly Tanks, and Lake Tanks, holding a large variety of liquids. The RainLink™ online portal is an easy to use platform for simple acquisition, presentation and further processing of measured values.

Features:

- Easy Installation
- Maintenance free operation
- Non-contact level measurement
- Monitor tank levels on a mobile phone or computer
- GPS Location
- High and Low Level notifications
- IP66/IP68 Rating
- Configurable by a smartphone with Bluetooth

Specs:

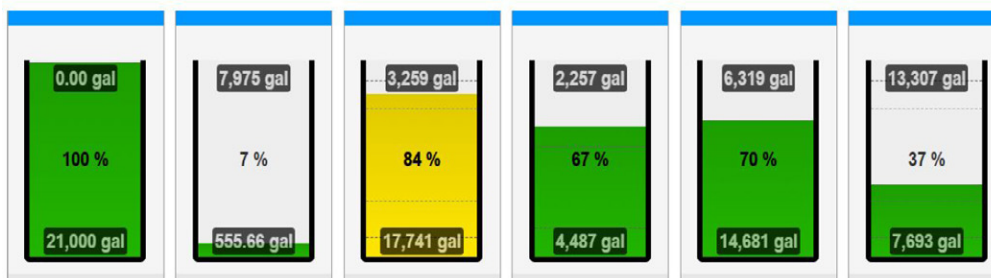
| | |
|-----------------------------|-------------------|
| Measuring Distance: | Up to 49ft |
| Material: | PVDF |
| Power Requirements: | 3.6V 17Ah Battery |
| Data Transmission Interval: | 1hr to 24hr |
| Measuring Interval: | 15min to 12hr |
| Process Connection: | 1-1/2" MNPT |
| Accuracy: | +/- 0.1" |



Accessories:

- Rain for Rent Tanks
- Co-Pilot Pump Controller

Monitoring Visuals:



PUMPS • TANKS • FILTRATION • PIPE • SPILLGUARDS
 THE SPECIFICATIONS CONTAINED IN THIS SHEET ARE OPERATING GUIDELINES AND ARE INTENDED TO BE GENERAL REPRESENTATIONS OF EQUIPMENT CAPABILITIES. ACTUAL PERFORMANCE WILL VARY BASED UPON SYSTEM APPLICATION, AGE OF EQUIPMENT, MANUFACTURER, AND OPERATION

Liquid Ingenuity®
 800-742-7246
 rainforrent.com